

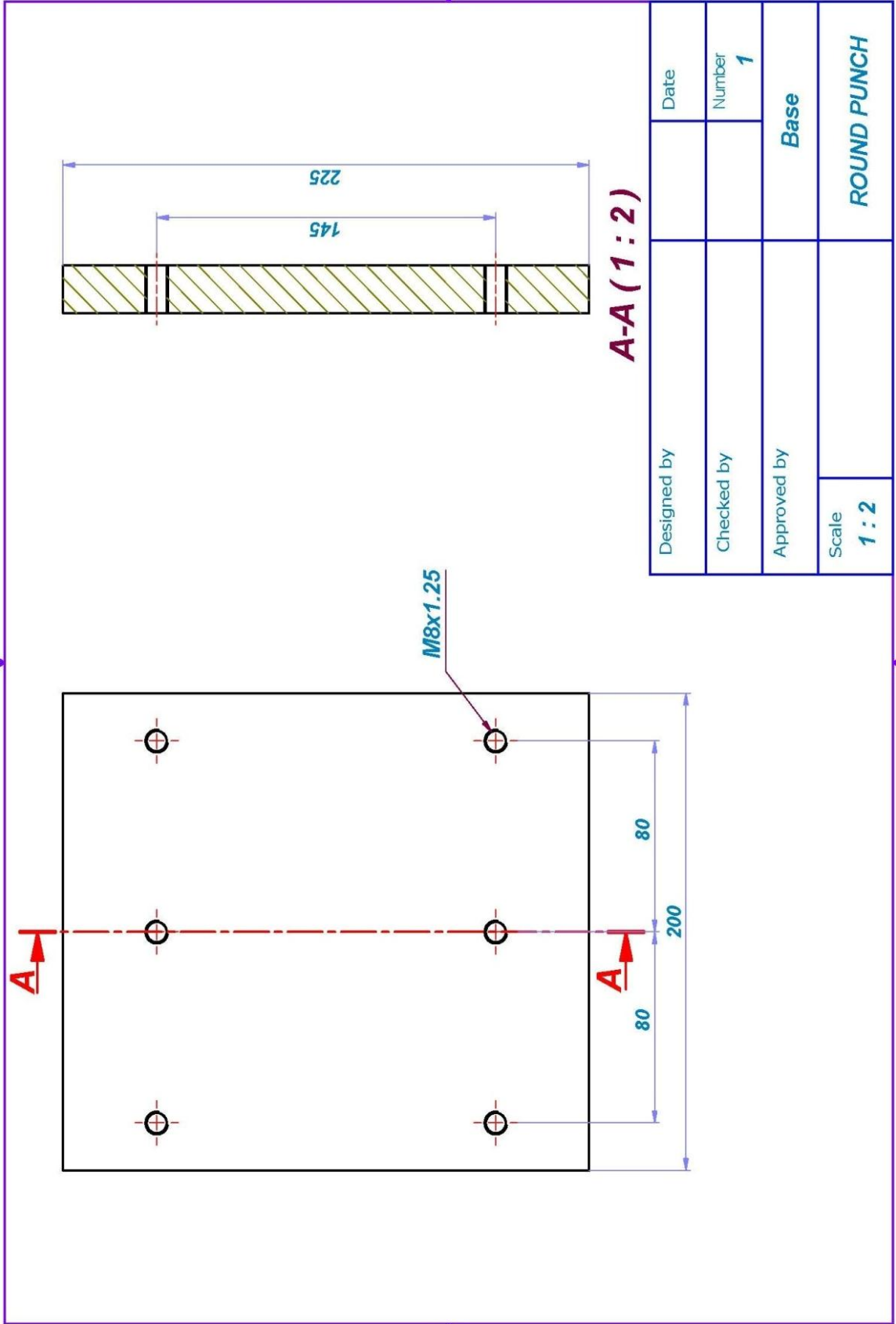
**ภาคผนวก ค.**

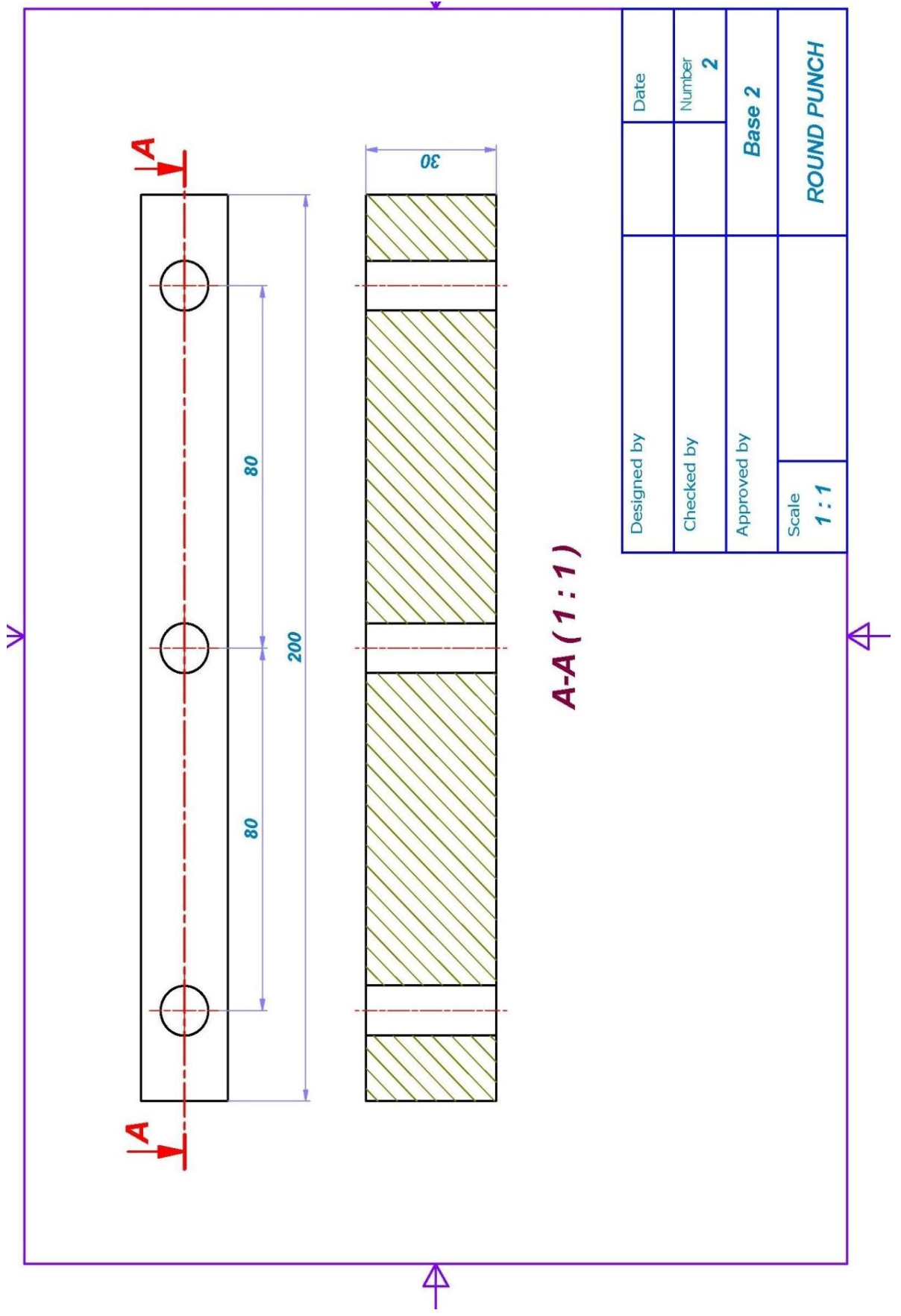
**แบบงานแม่พิมพ์**

16	Spring guide litter	9
15	Spring	6
14	Screw M6x1	12
13	Screw M8x1.25	12
12	Guide posts	4
11	Guide litter	9
10	Suide cutter	1
9	Punch	1
8	Shank	1
7	Upper plate	1
6	Blanking plate	1
5	Stripper plate	1
4	Die Plate	1
3	Lowwer plate	1
2	Base 2	2
1	Base	1
<b>PART NUMBER</b>	<b>QTY</b>	<b>ITEM</b>

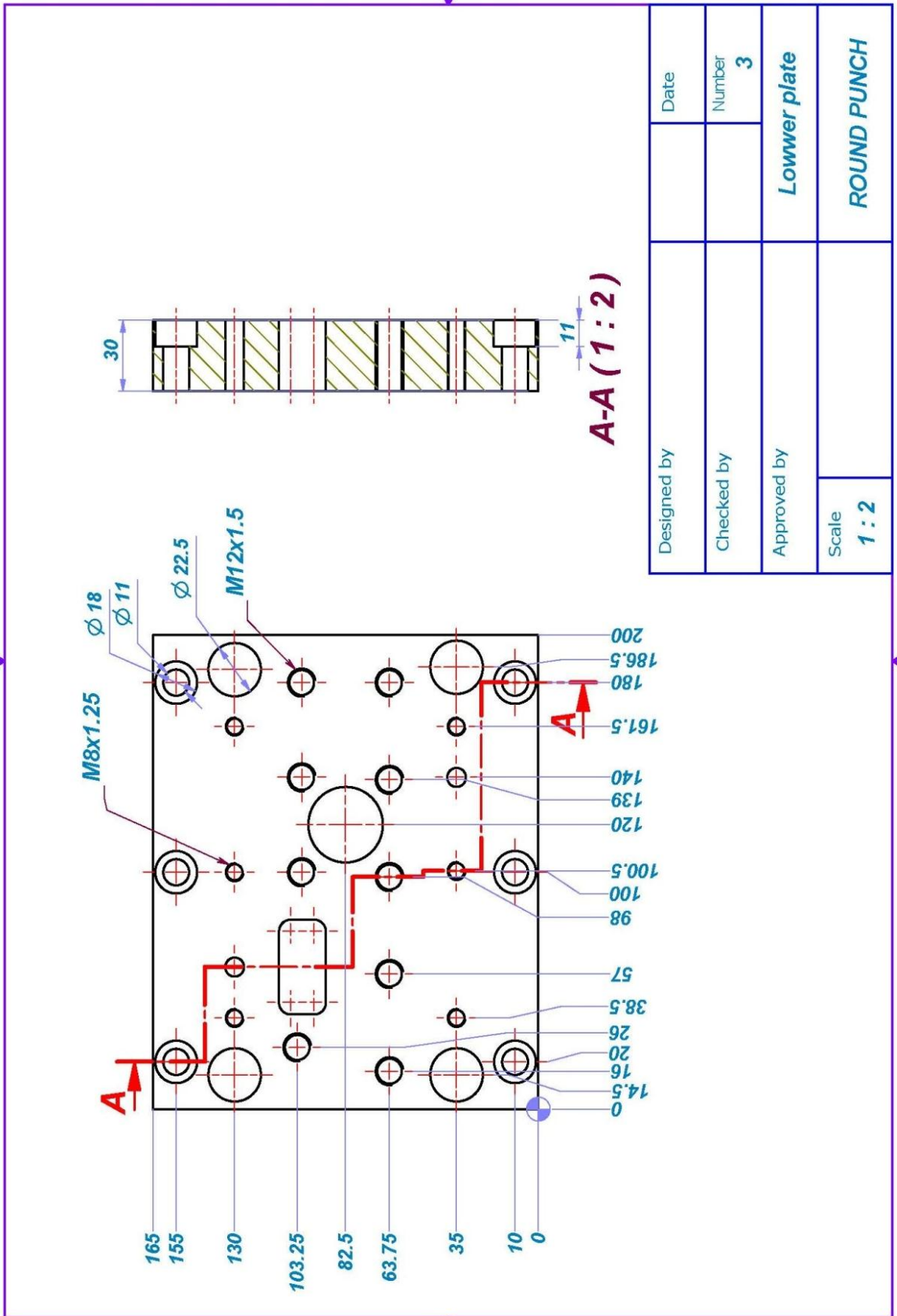
**Part List**

Designed by	Date	
Checked by	Number	
Approved by		
Scale <b>1 : 4</b>	<b>ROUND PUNCH</b>	

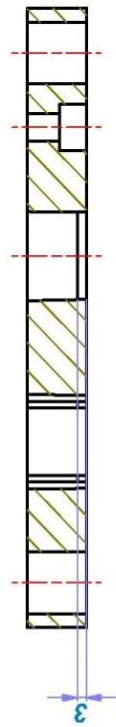
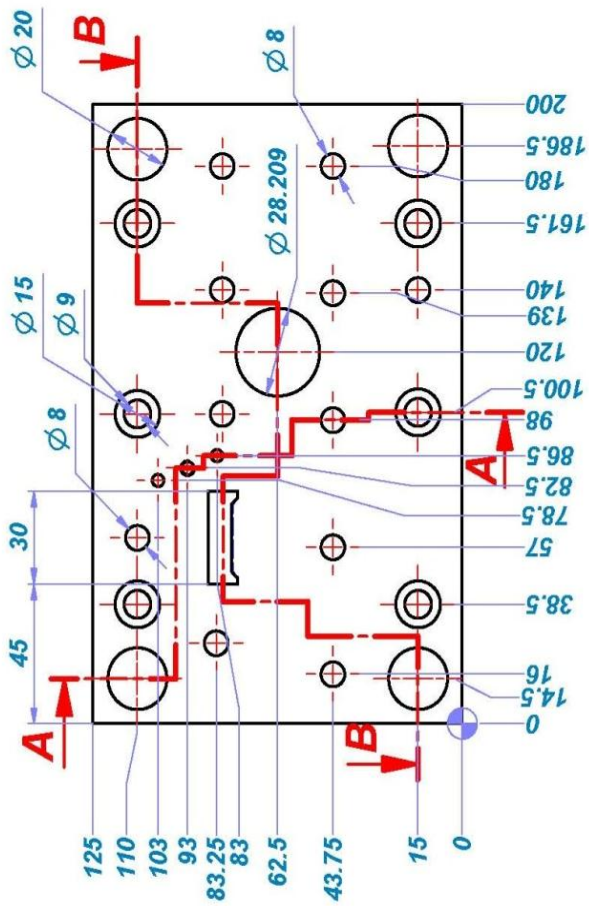




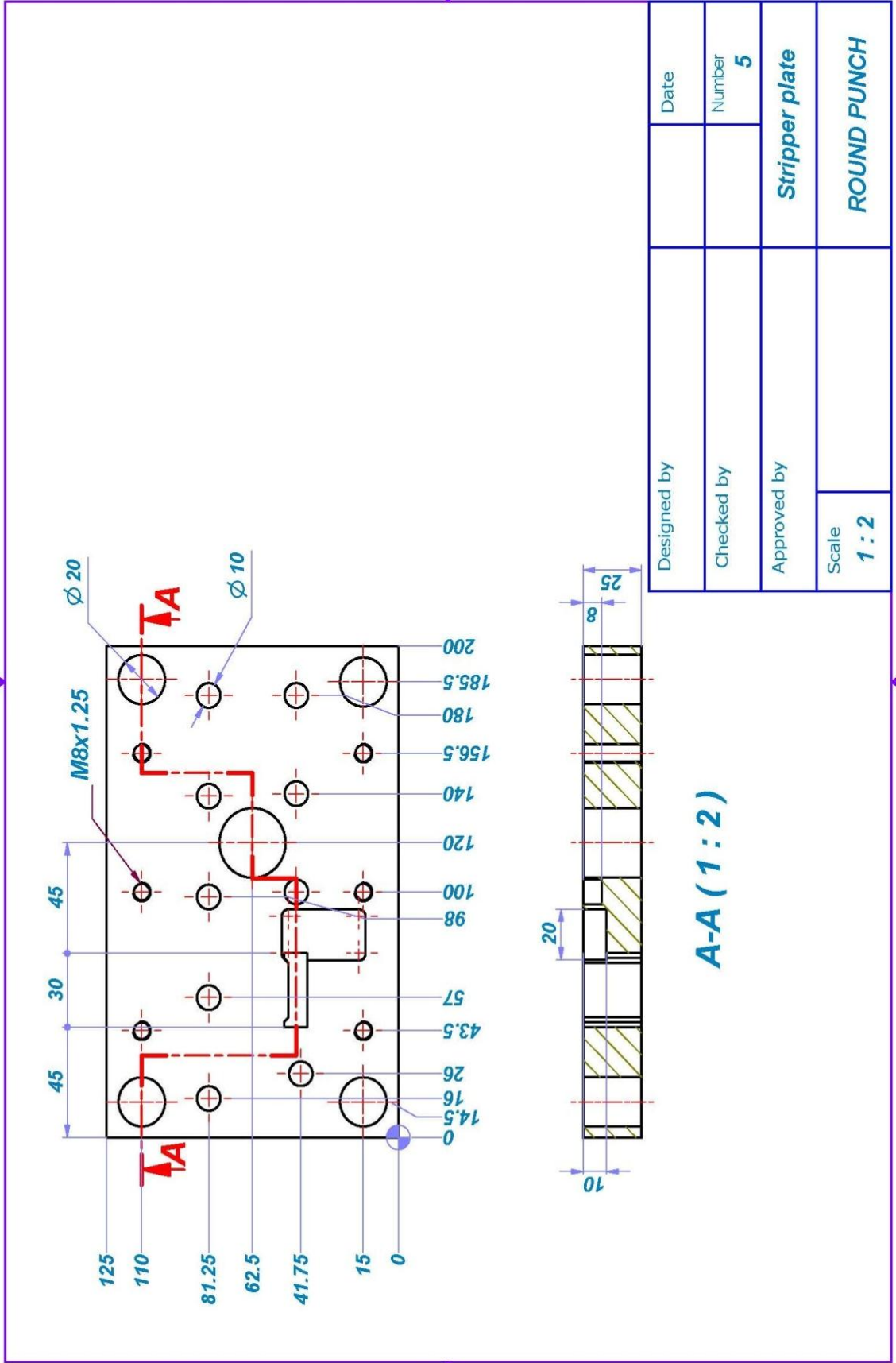
Designed by		Date	
Checked by		Number	<b>2</b>
Approved by		<b>Base 2</b>	
Scale	<b>1:1</b>	<b>ROUND PUNCH</b>	

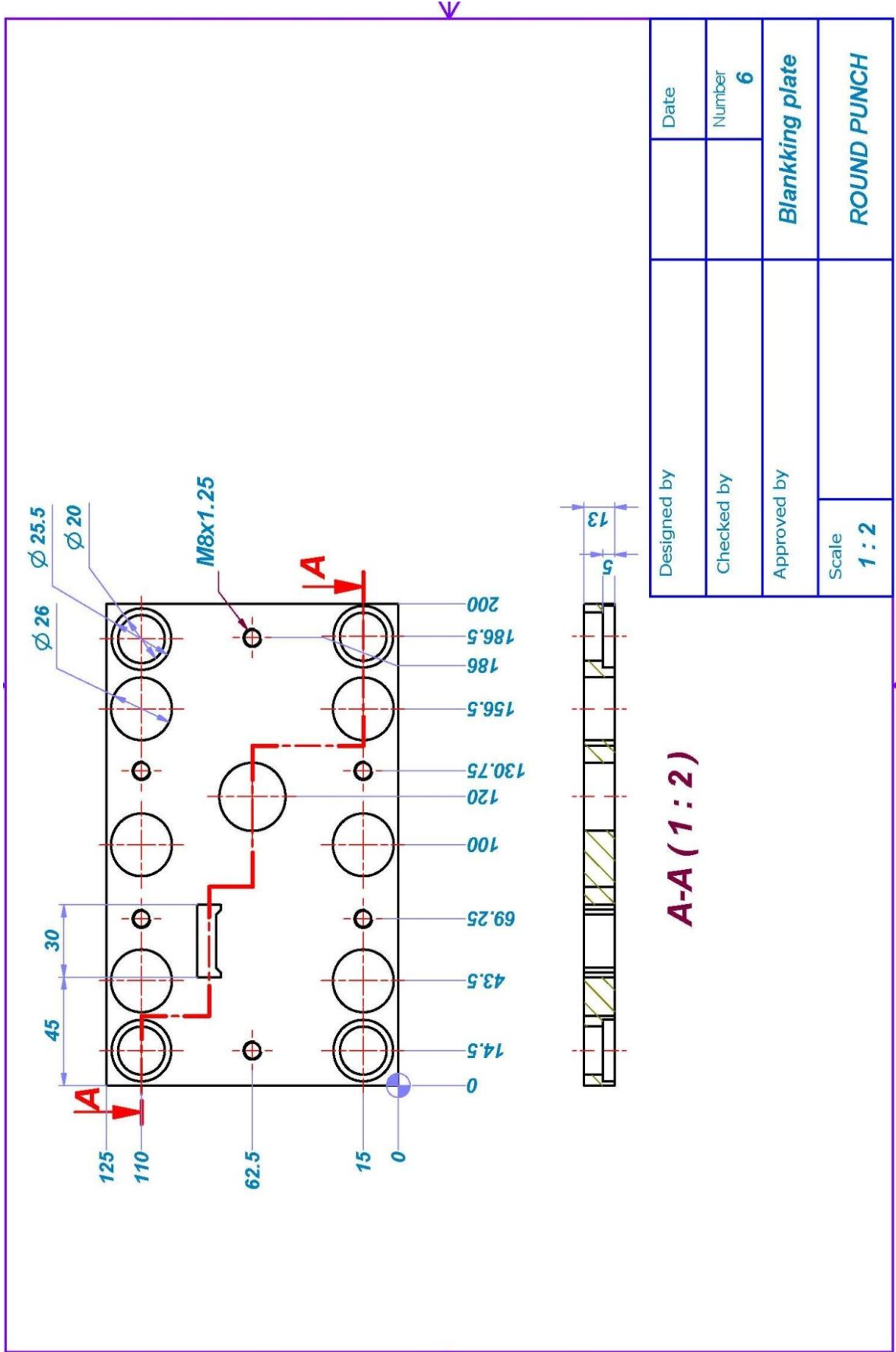


Designed by	Date
Checked by	Number 3
Approved by	Lower plate
Scale 1:2	ROUND PUNCH



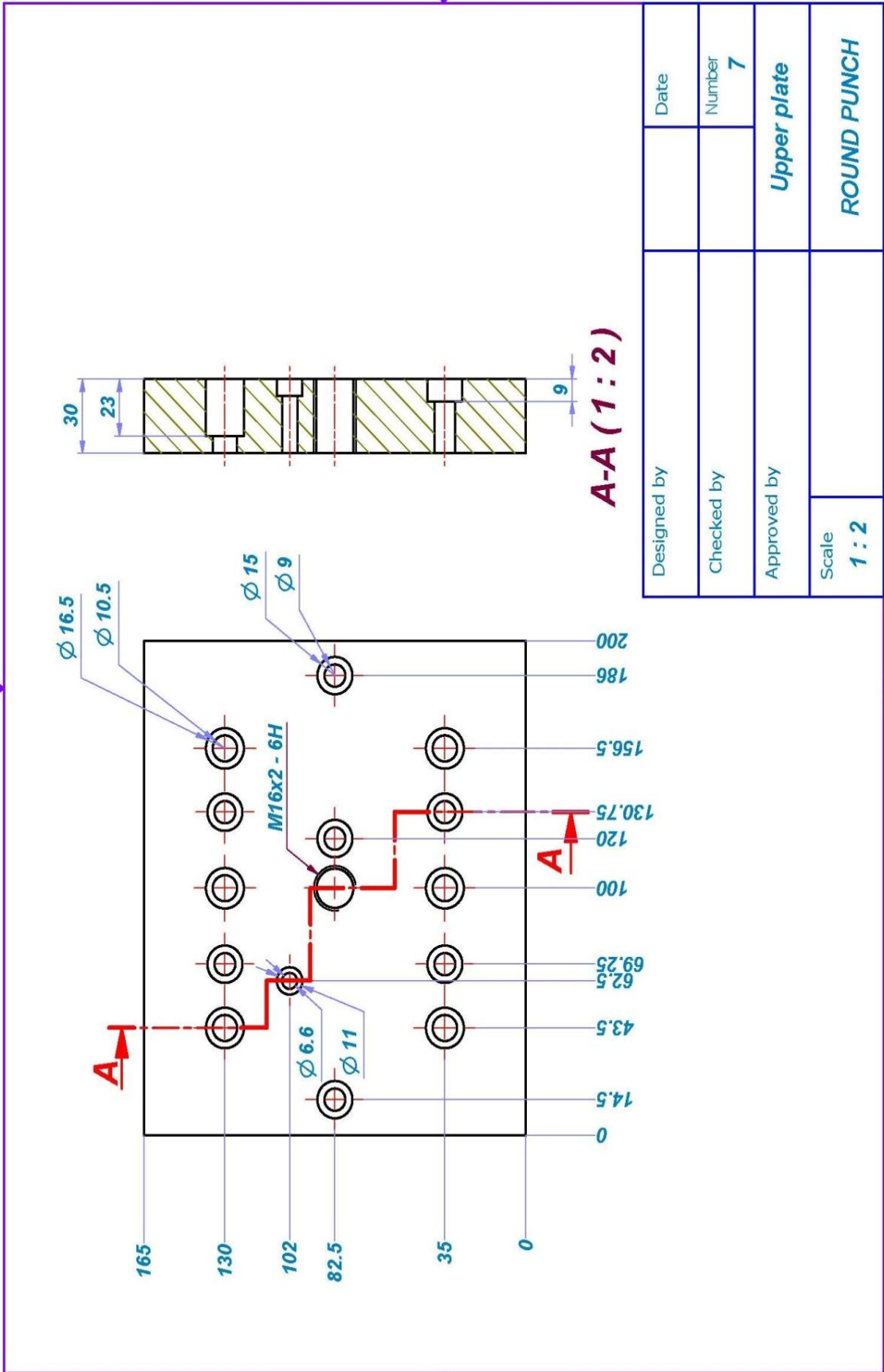
Designed by	Date
Checked by	Number <b>4</b>
Approved by	<b>Die plate</b>
Scale <b>1 : 2</b>	<b>ROUND PUNCH</b>

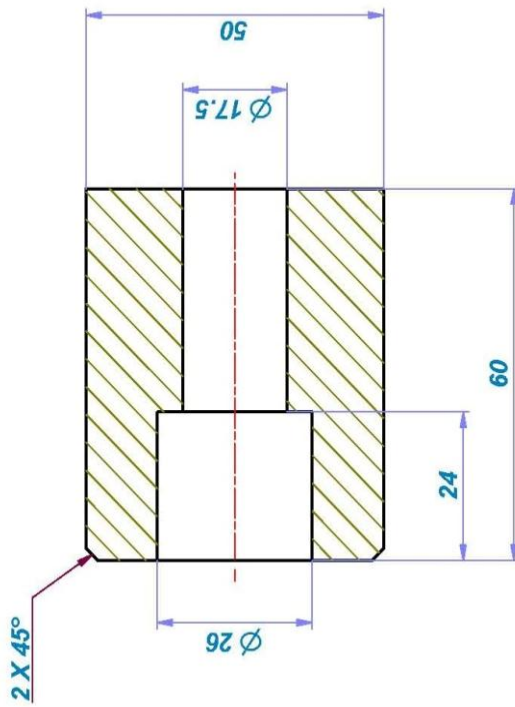
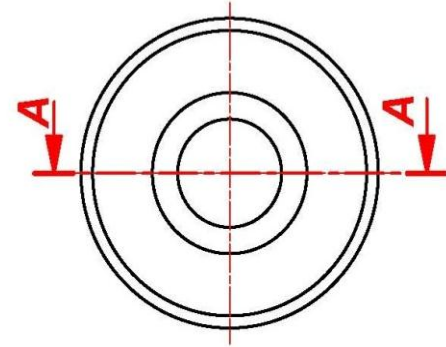




Designed by	Date
Checked by	Number <b>6</b>
Approved by	<b>Blanking plate</b>
Scale <b>1 : 2</b>	<b>ROUND PUNCH</b>

**A-A (1:2)**

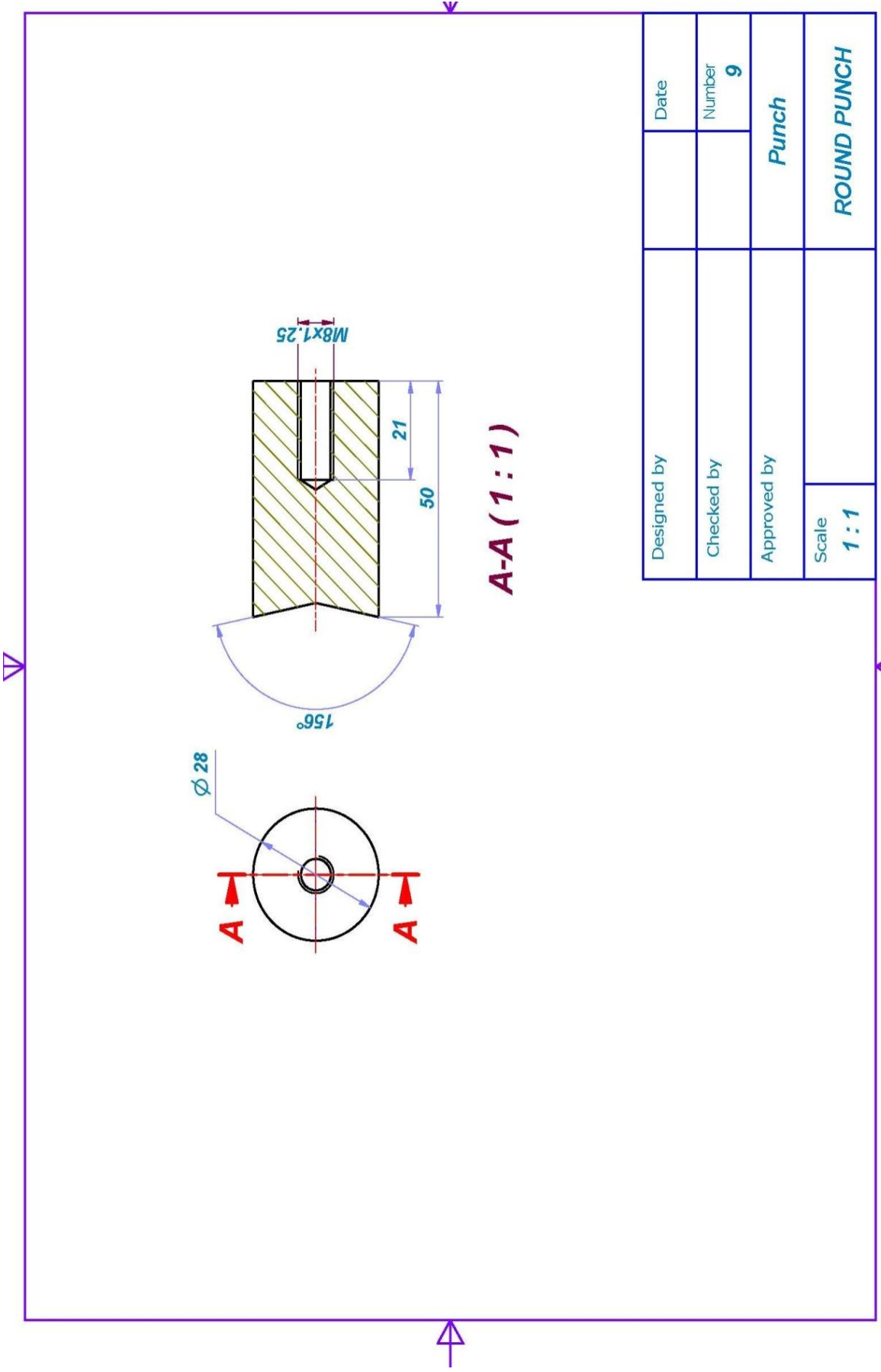




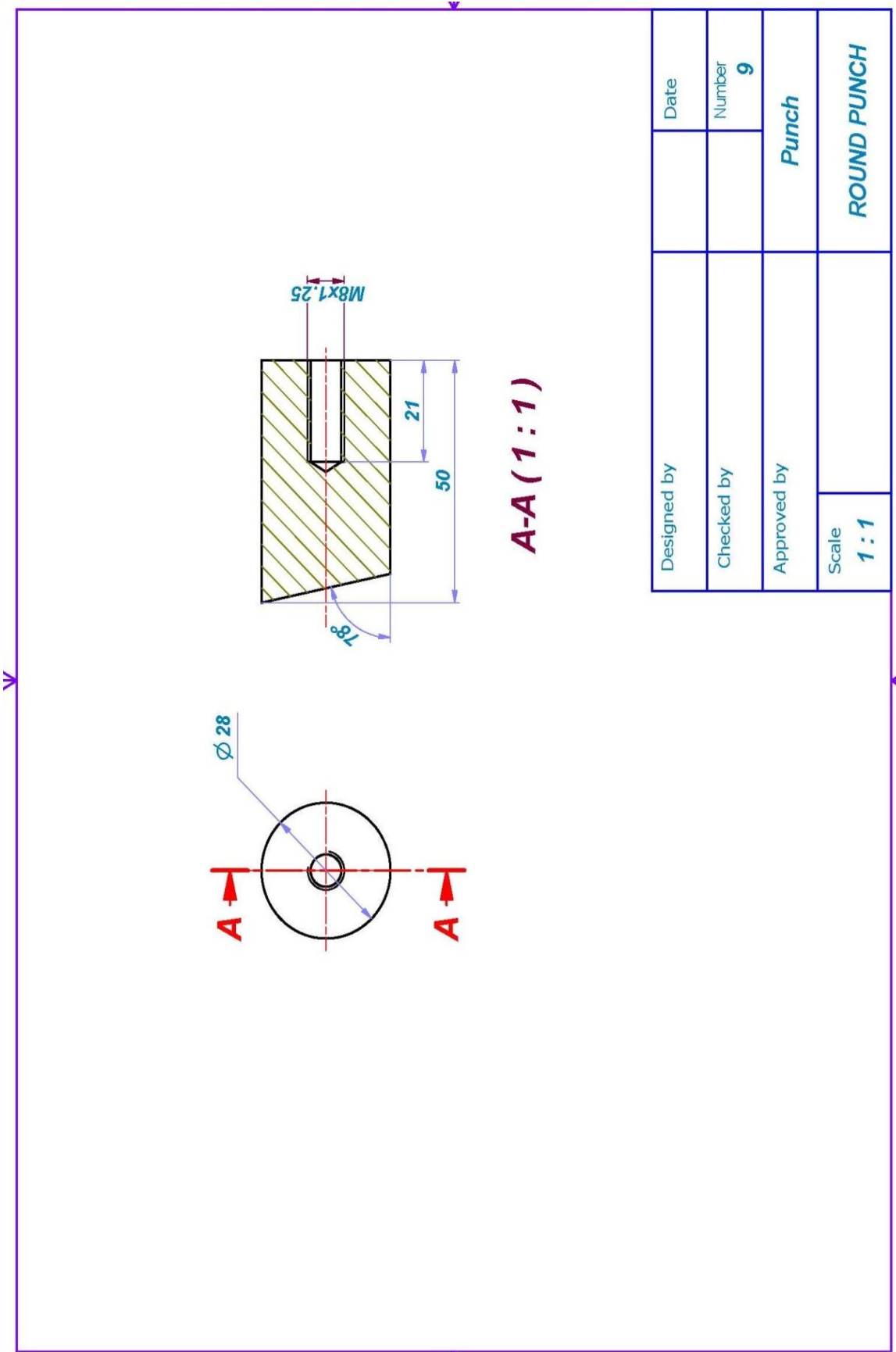
**A-A (1 : 1)**

Designed by	Date
Checked by	Number <b>8</b>
Approved by	<b>Shank</b>
Scale <b>1 : 1</b>	<b>ROUND PUNCH</b>



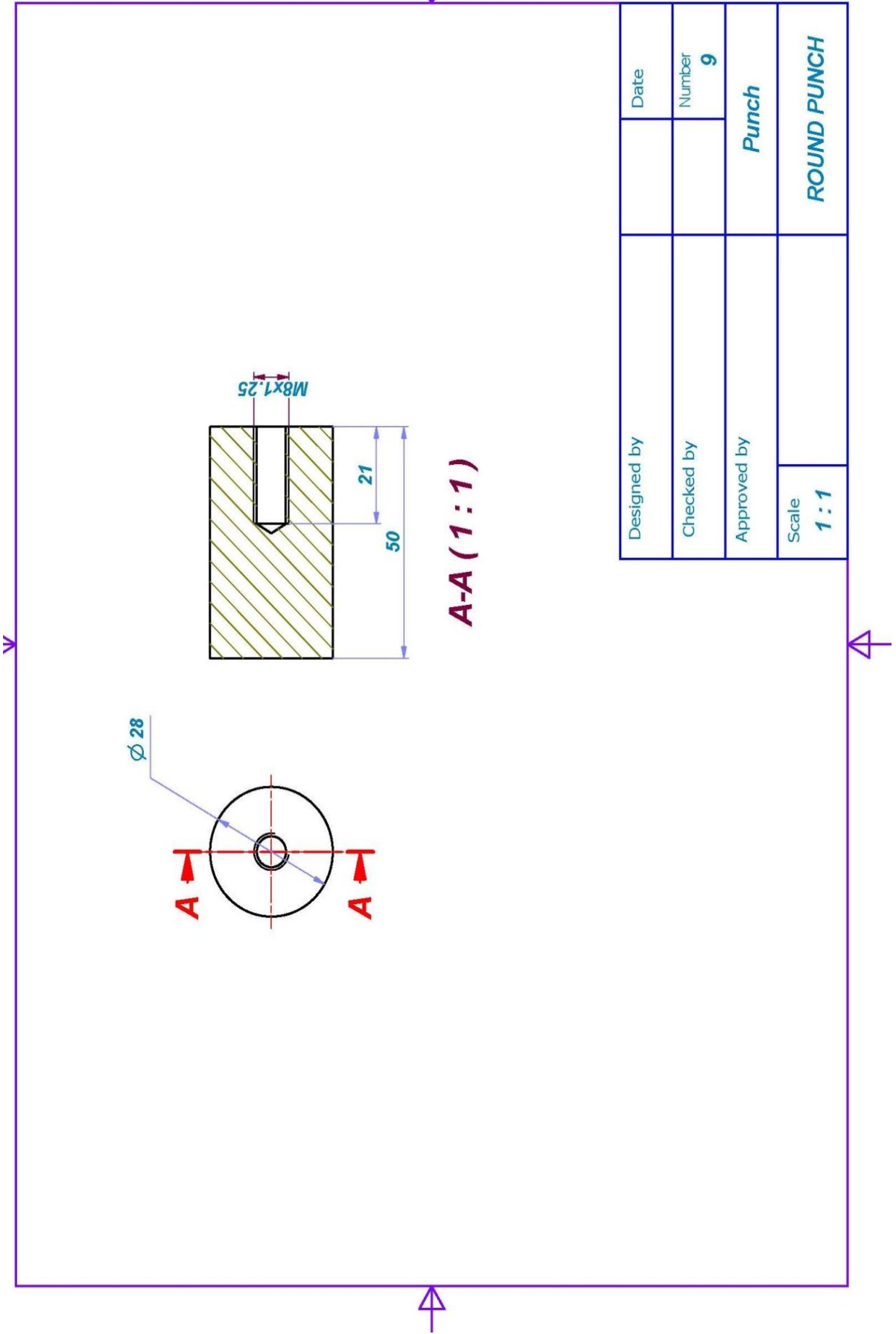


Designed by		Date	
Checked by		Number	<b>9</b>
Approved by		<b>Punch</b>	
Scale	<b>1:1</b>	<b>ROUND PUNCH</b>	

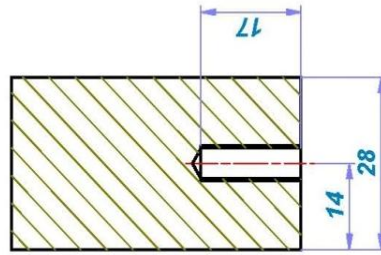
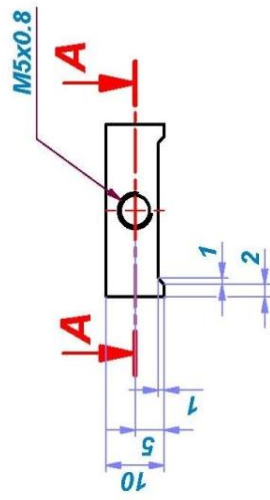


**A-A (1:1)**

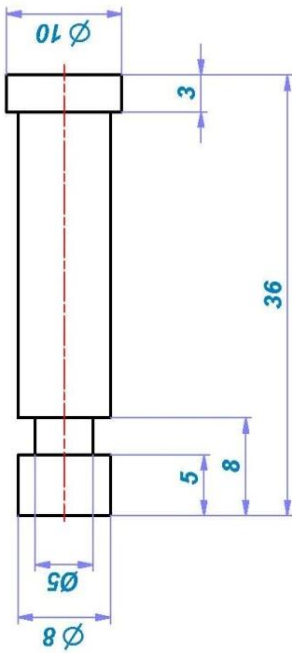
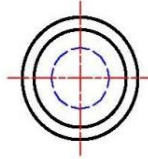
Designed by		Date	
Checked by		Number	<b>9</b>
Approved by		<b>Punch</b>	
Scale	<b>1:1</b>	<b>ROUND PUNCH</b>	



Designed by		Date	
Checked by		Number	9
Approved by		Punch	
Scale	1:1	ROUND PUNCH	

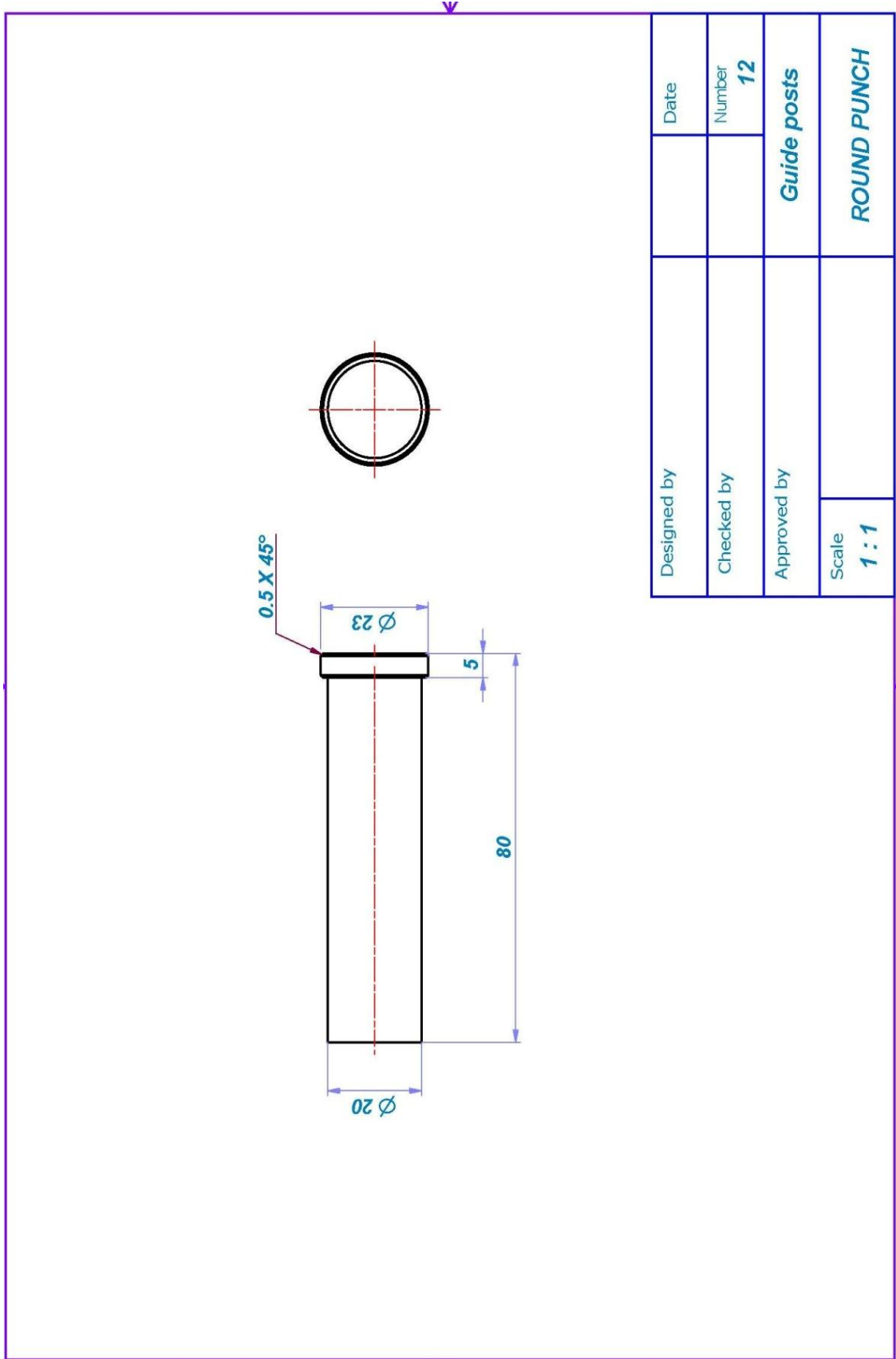


Designed by	Date	Number <b>10</b>	<i>Slide cutter</i>	<b>ROUND PUNCH</b>
Checked by				
Approved by				
Scale <b>1:1</b>				



Designed by		Date	
Checked by		Number	<b>11</b>
Approved by		<b>Guide letter</b>	
Scale	<b>2 : 1</b>	<b>ROUND PUNCH</b>	





Designed by		Date	
Checked by		Number	12
Approved by		<b>Guide posts</b>	
Scale	<b>1 : 1</b>	<b>ROUND PUNCH</b>	



**SECTION A-A**

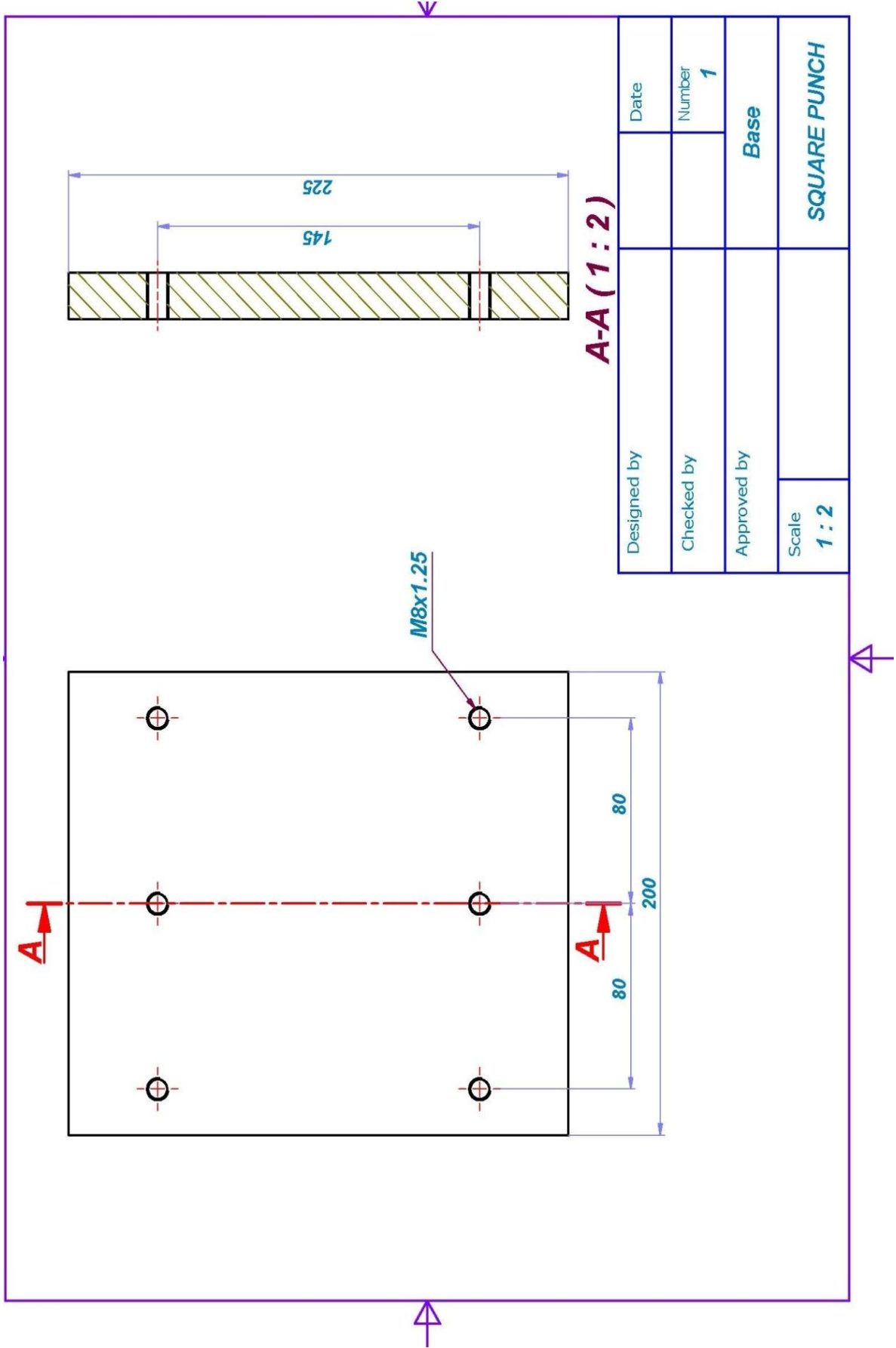
PART NUMBER	QTY	ITEM
16	9	Spring guide litter
15	6	Spring
14	12	Screw M6x1
13	12	Screw M8x1.25
12	4	Guide posts
11	9	Guide litter
10	1	Guide cutter
9	1	Punch
8	1	Shank
7	1	Upper plate
6	1	Blanking plate
5	1	Stripper plate
4	1	Die Plate
3	1	Lower plate
2	2	Base 2
1	1	Base

**Part List**

Designed by	Date
Checked by	Number
Approved by	

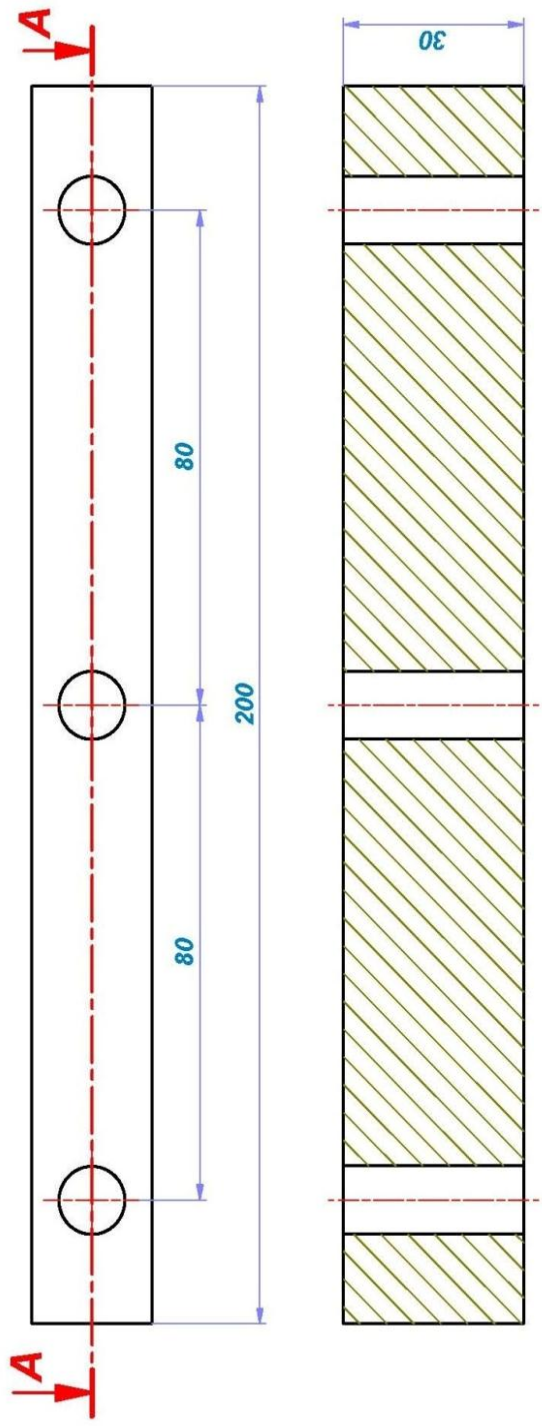
Scale  
**1 : 4**

**SQUARE PUNCH**



**A-A (1 : 2)**

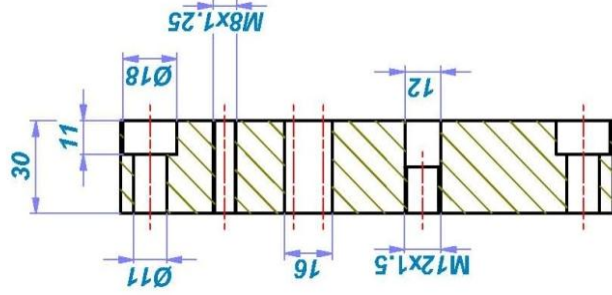
Designed by	Date
Checked by	Number <b>1</b>
Approved by	<b>Base</b>
Scale <b>1 : 2</b>	<b>SQUARE PUNCH</b>



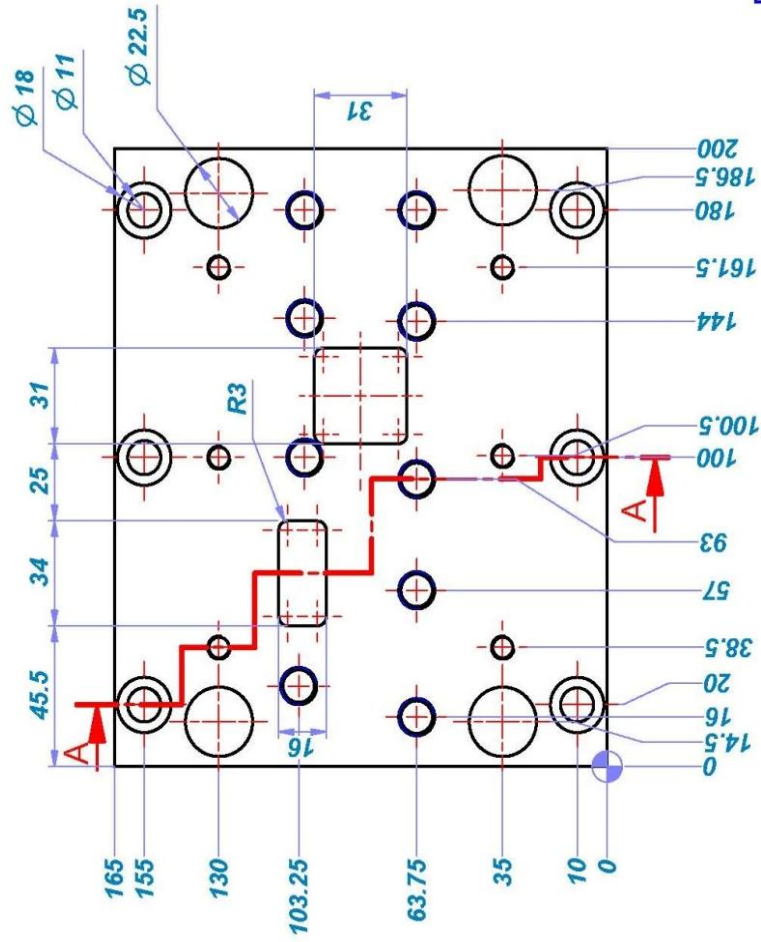
**A-A (1 : 1)**

Designed by		Date	
Checked by		Number	<b>2</b>
Approved by		<b>Base 2</b>	
Scale	<b>1 : 1</b>	<b>SQUARE PUNCH</b>	

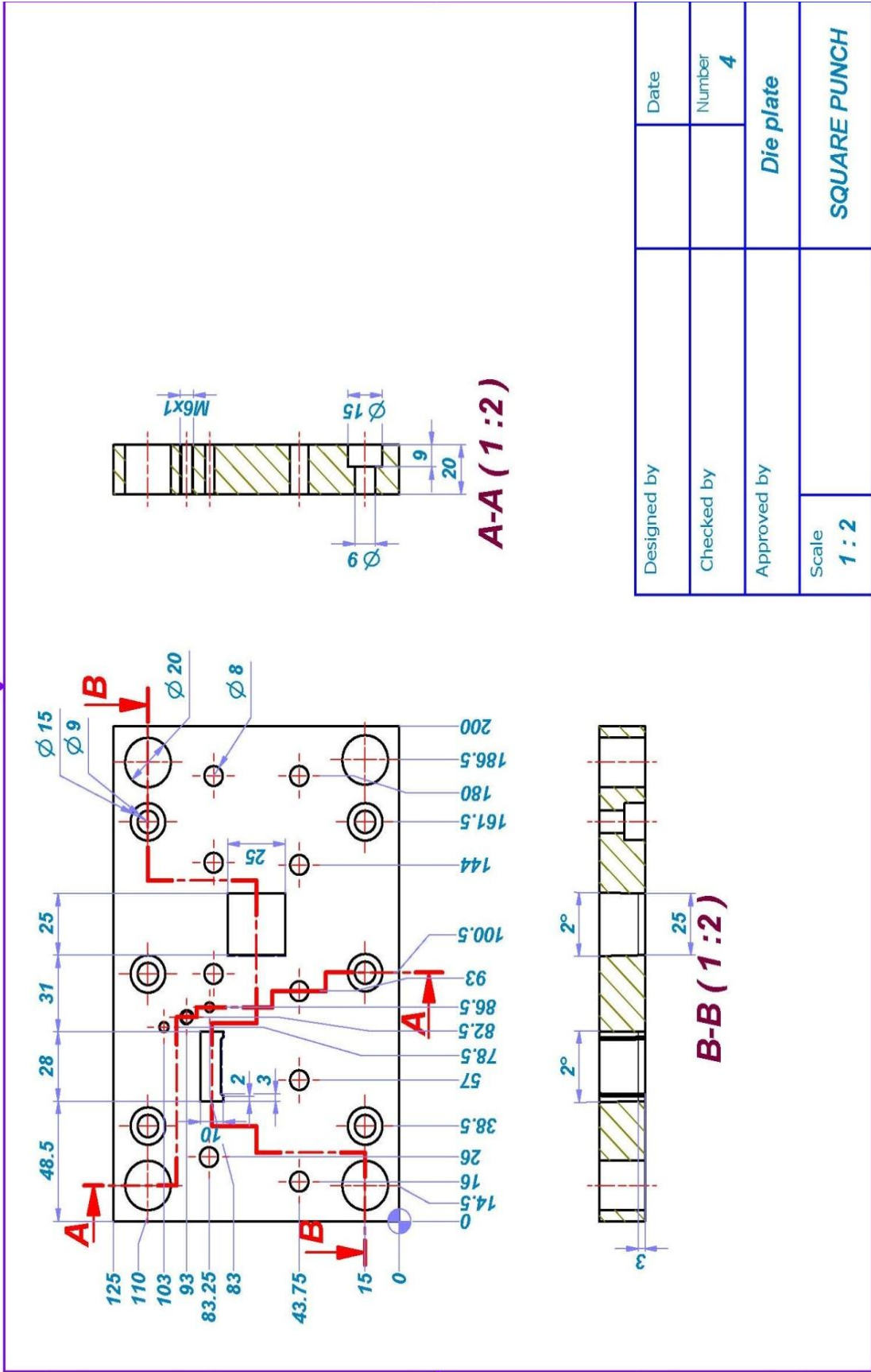


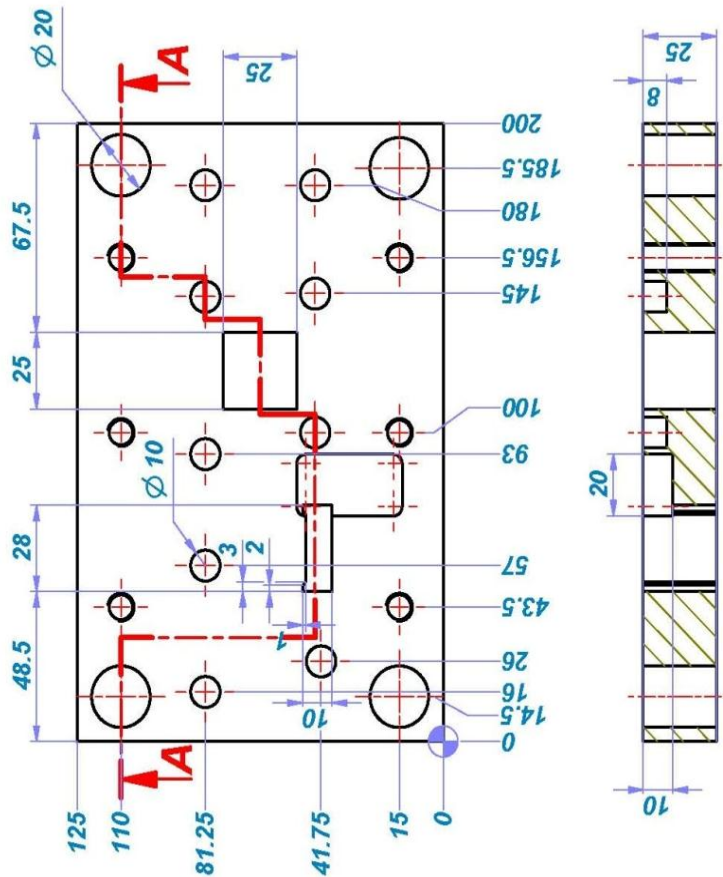


A-A (1:2)



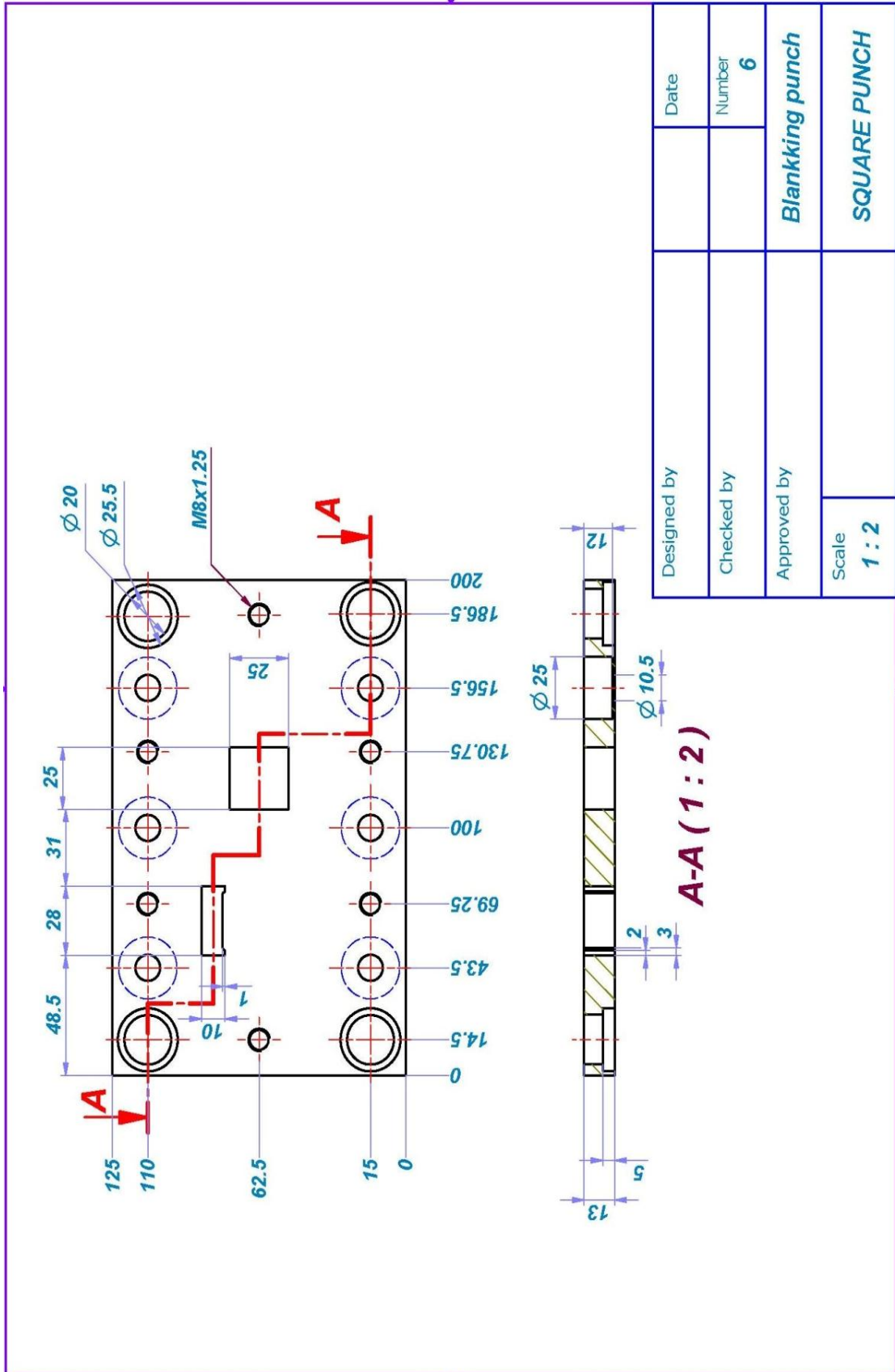
Designed by	Date
Checked by	Number <b>3</b>
Approved by	<b>Lower plate</b>
Scale <b>1:2</b>	<b>SQUARE PUNCH</b>

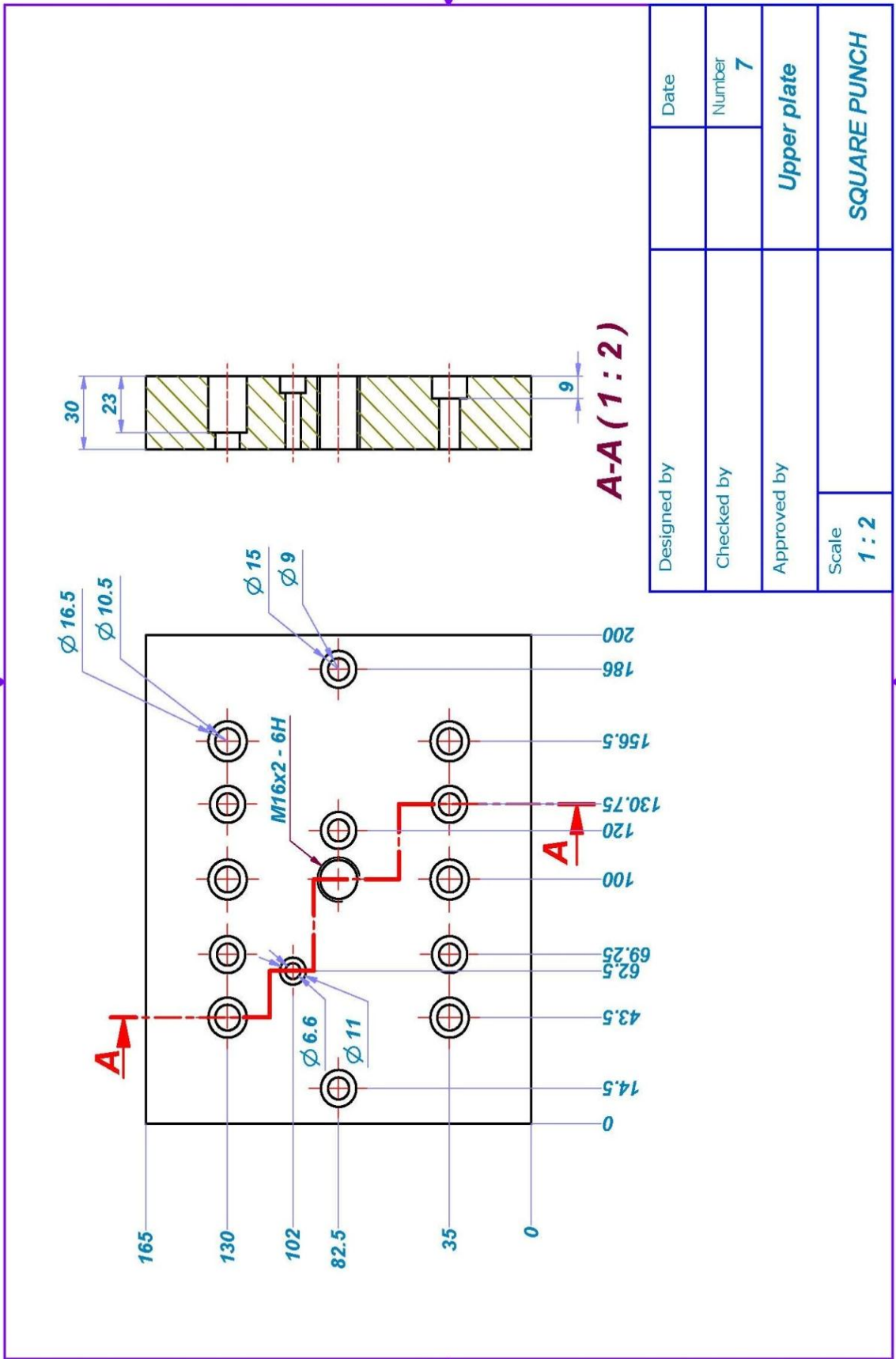


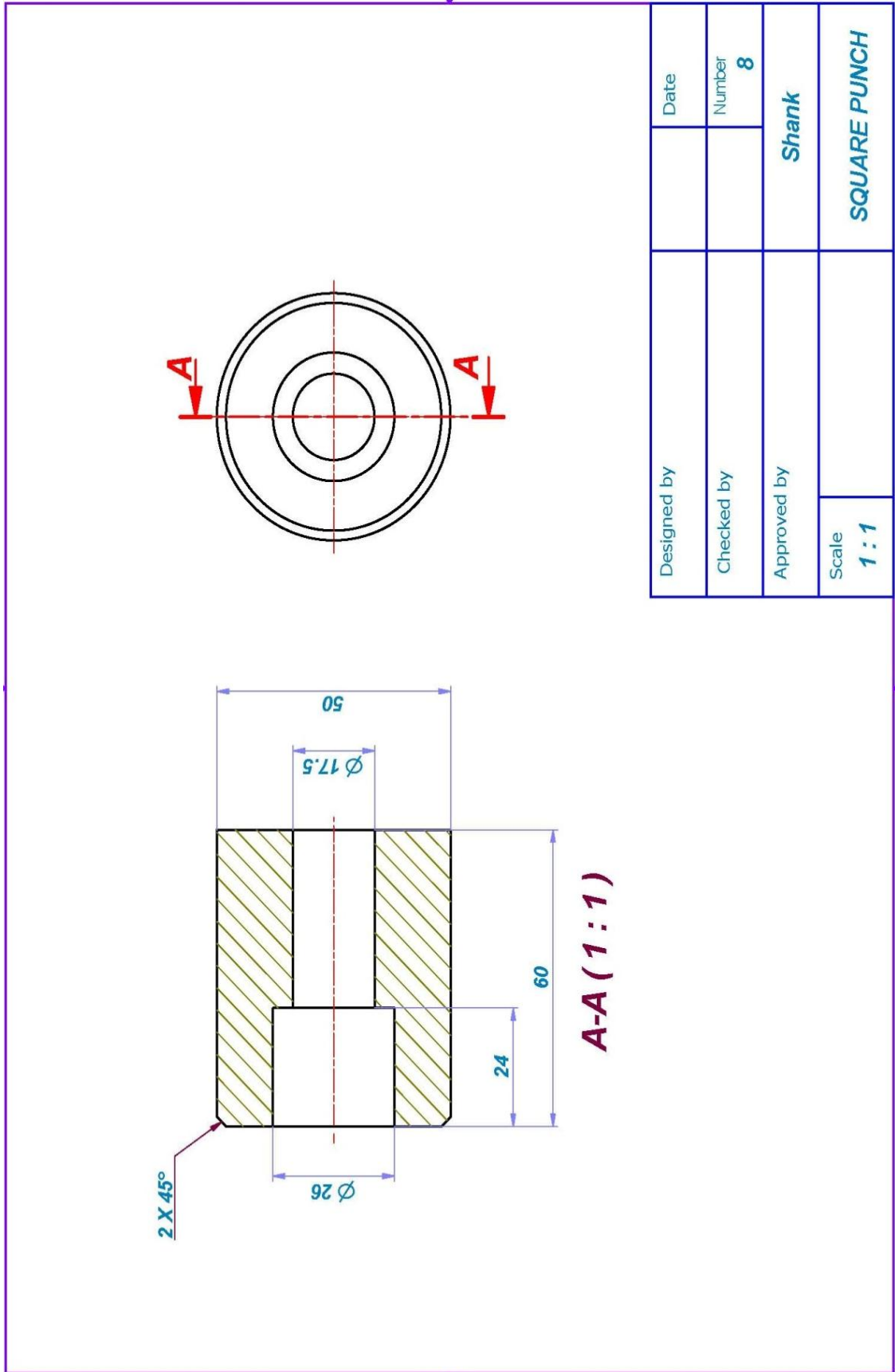


**A-A(1:2)**

Designed by	Date
Checked by	Number <b>5</b>
Approved by	<b>Stripper plate</b>
Scale <b>1:2</b>	<b>SQUARE PUNCH</b>

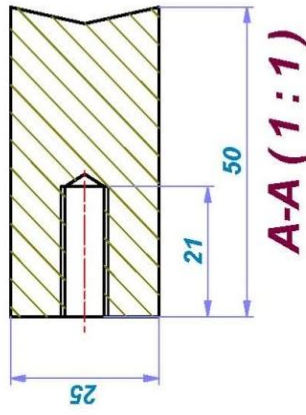
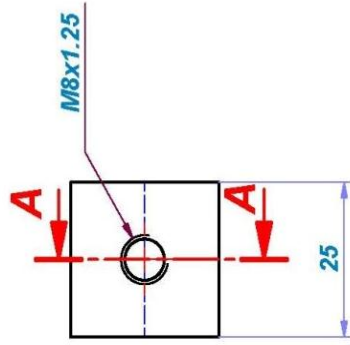






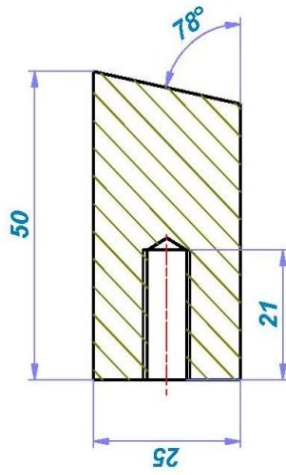
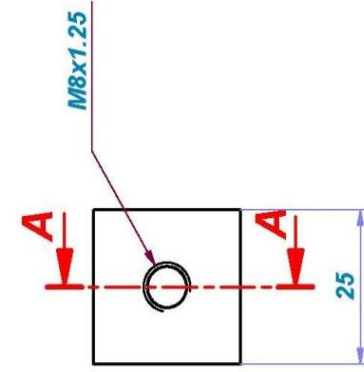
Designed by	Date
Checked by	Number <b>8</b>
Approved by	<b>Shank</b>
Scale <b>1 : 1</b>	<b>SQUARE PUNCH</b>





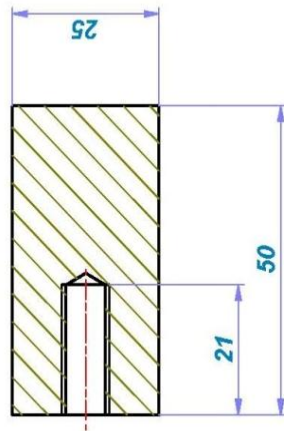
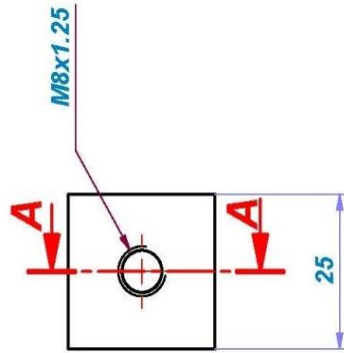
Designed by	Date
Checked by	Number <b>9</b>
Approved by	<b>Punch</b>
Scale <b>1:1</b>	<b>SQUARE PUNCH</b>





**A-A (1:1)**

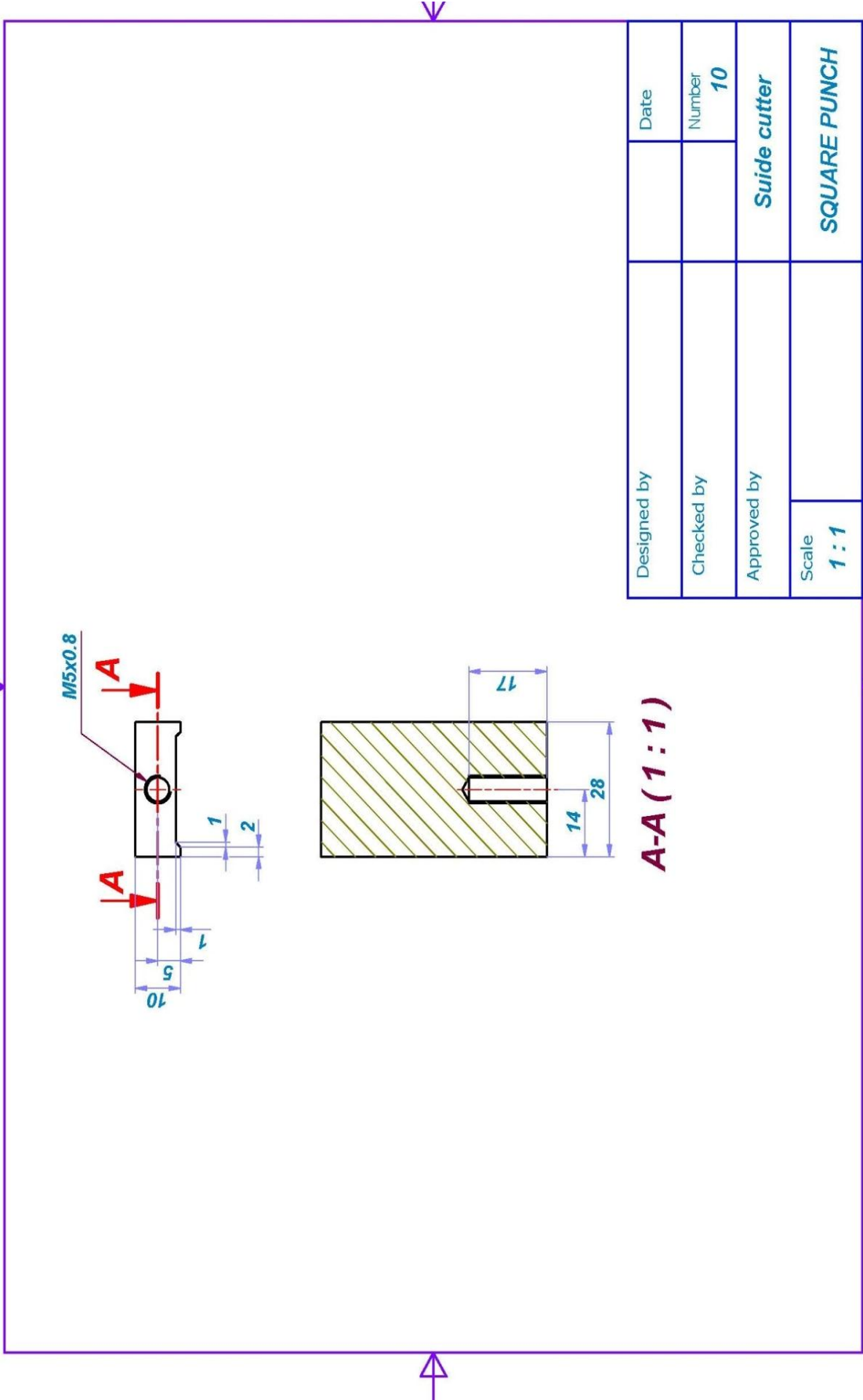
Designed by	Date
Checked by	Number <b>9</b>
Approved by	<b>Punch</b>
Scale <b>1:1</b>	<b>SQUARE PUNCH</b>

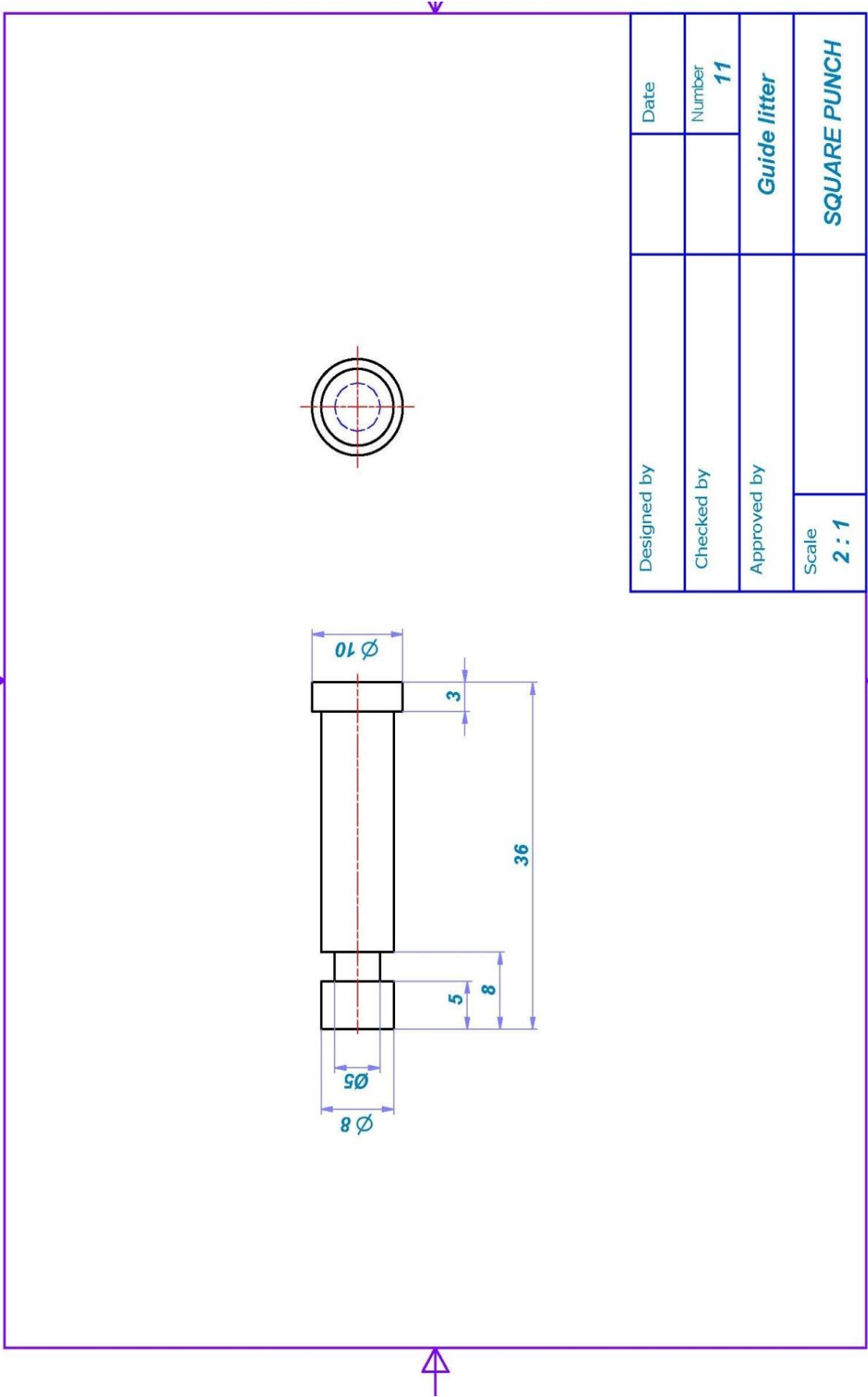


**A-A (1 : 1)**

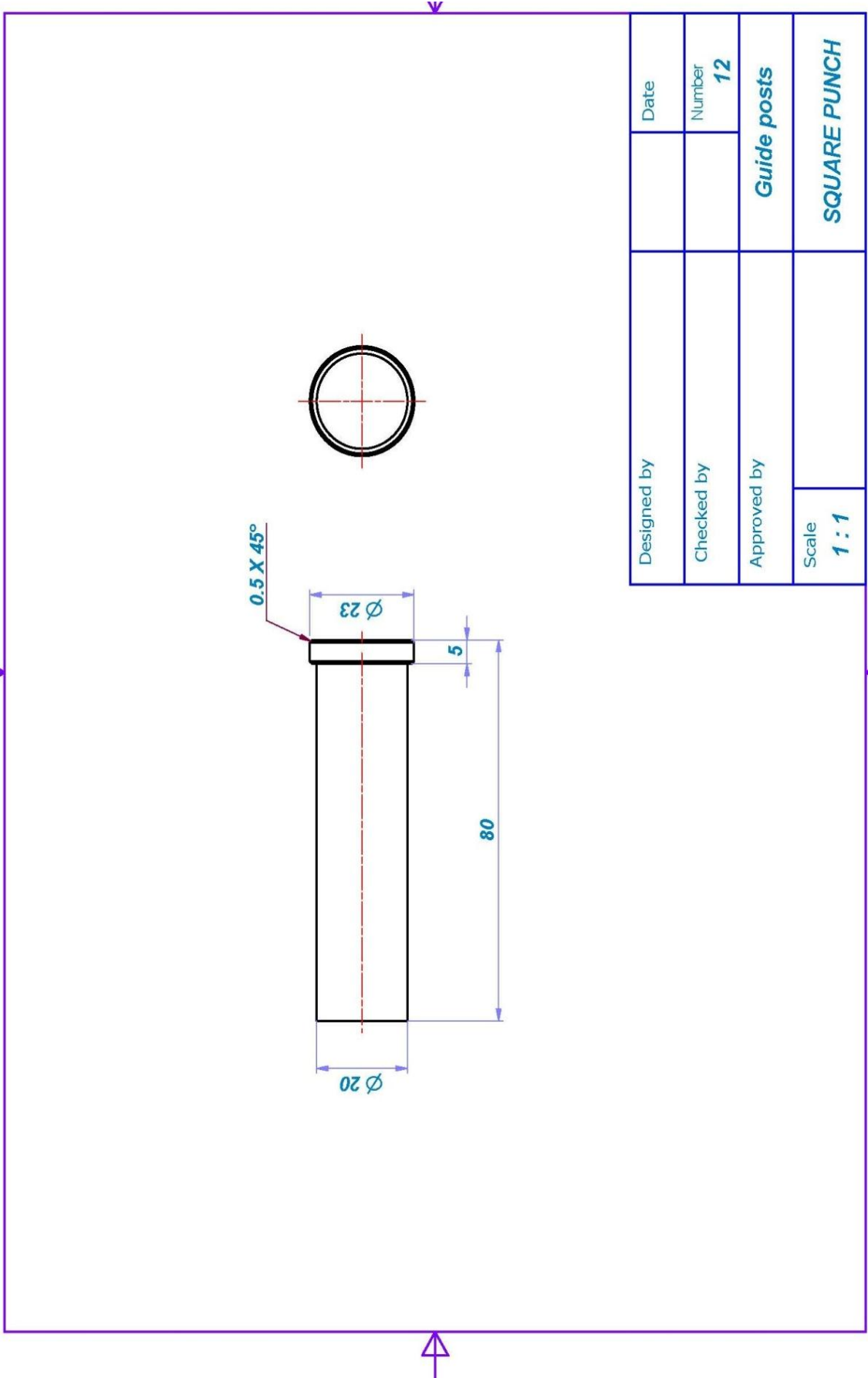
Designed by	Date
Checked by	Number <b>9</b>
Approved by	<b>Punch</b>
Scale <b>1 : 1</b>	<b>SQUARE PUNCH</b>







Designed by		Date	
Checked by		Number	11
Approved by		<b>Guide litter</b>	
Scale	<b>2 : 1</b>	<b>SQUARE PUNCH</b>	



Designed by		Date	
Checked by		Number	12
Approved by		<b>Guide posts</b>	
Scale	<b>1:1</b>	<b>SQUARE PUNCH</b>	