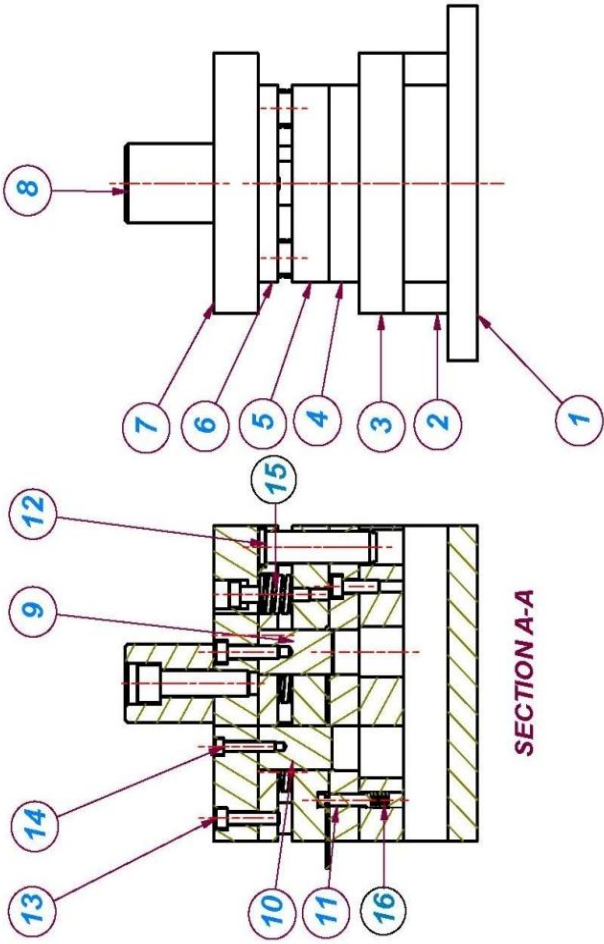
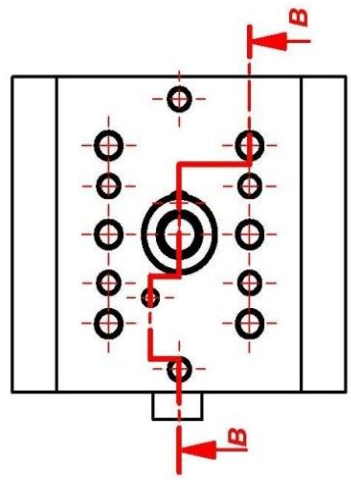


**ภาคผนวก ข.**

**แบบงานแม่พิมพ์**

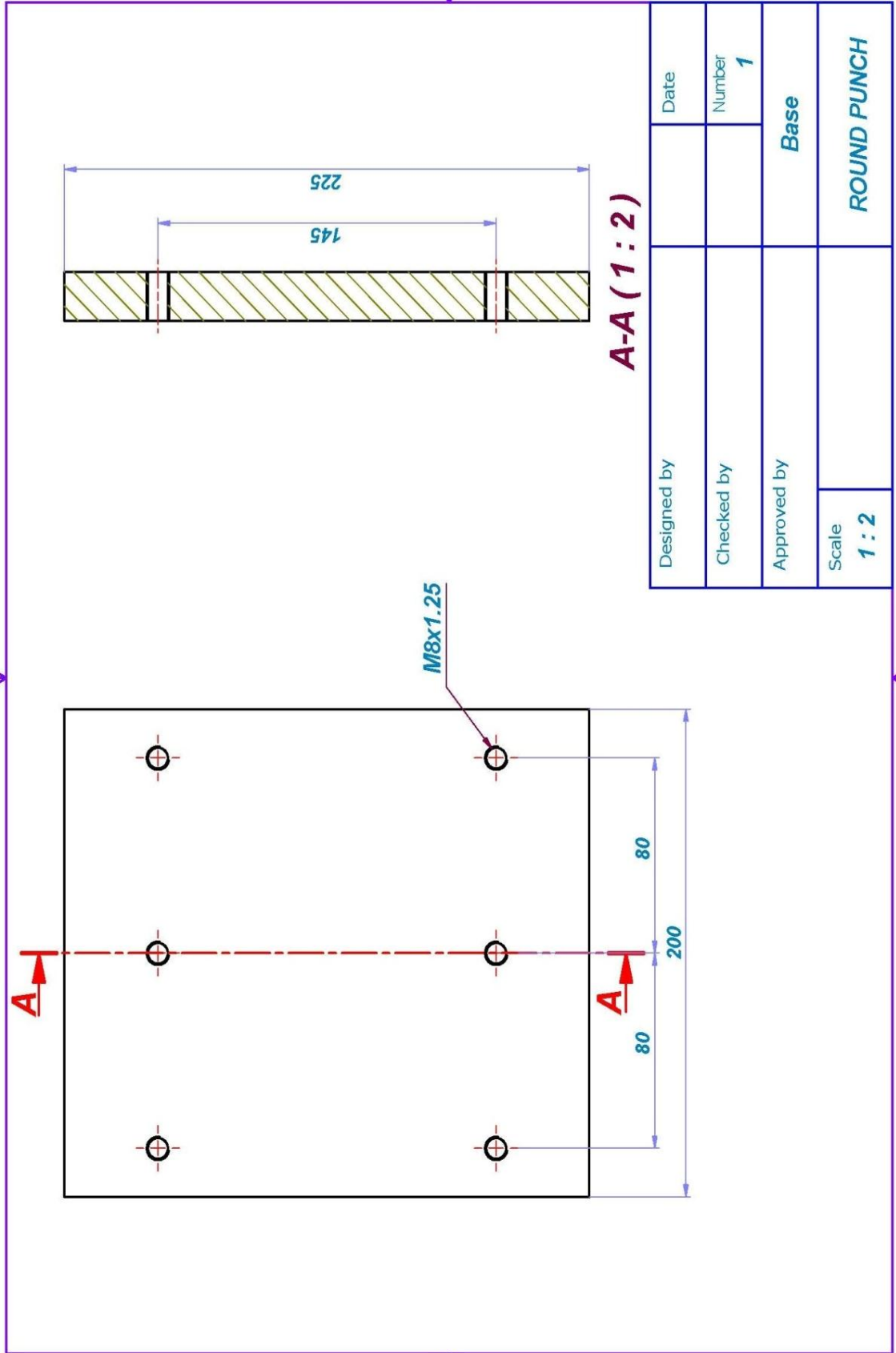


SECTION A-A

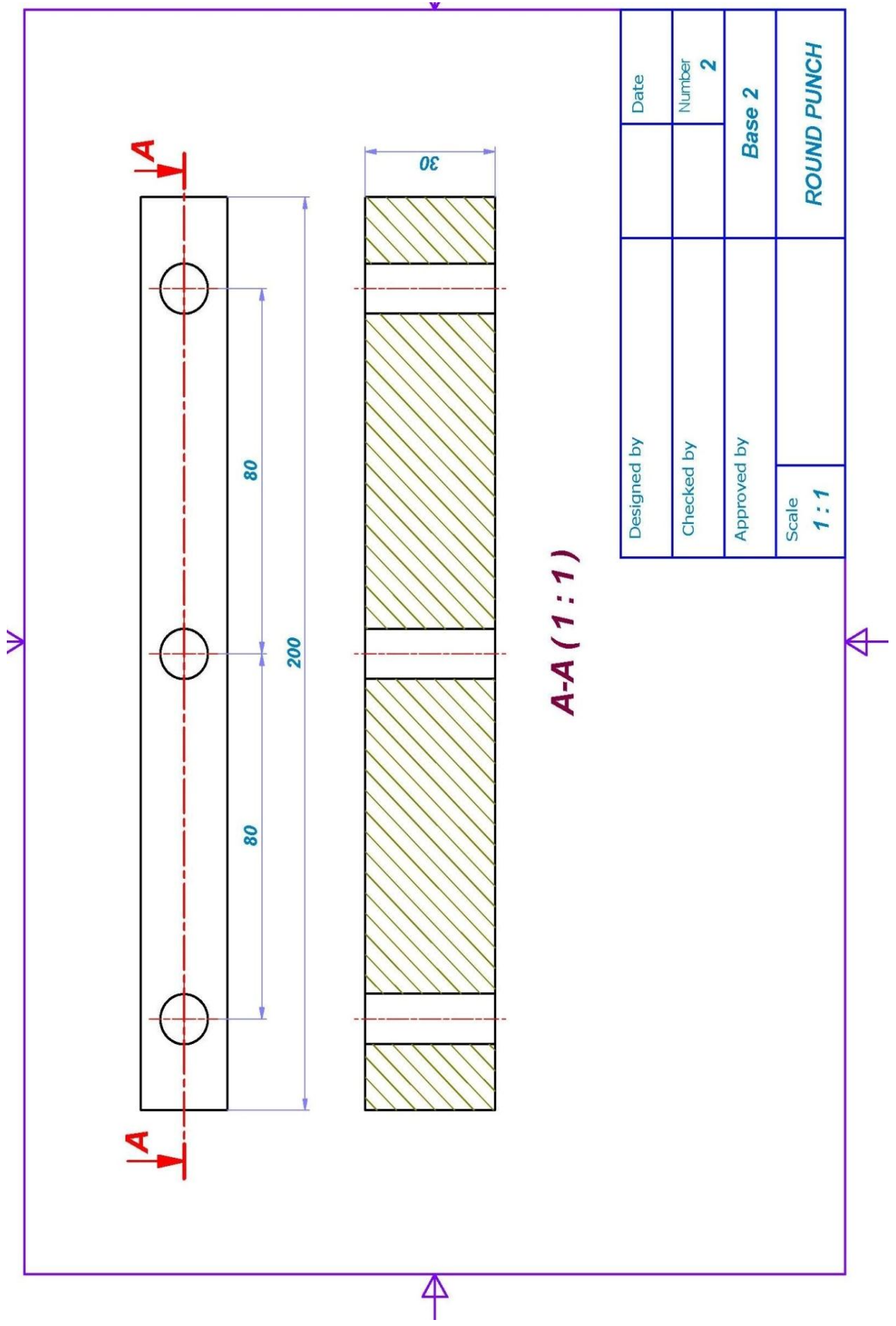


PART NUMBER	QTY	ITEM
16	9	Spring guide litter
15	6	Spring
14	12	Screw M6x1
13	12	Screw M8x1.25
12	4	Guide posts
11	9	Guide litter
10	1	Guide cutter
9	1	Punch
8	1	Shank
7	1	Upper plate
6	1	Blanking plate
5	1	Stripper plate
4	1	Die Plate
3	1	Lower plate
2	2	Base 2
1	1	Base

Part List	
Designed by	Date
Checked by	Number
Approved by	
Scale <b>1 : 4</b>	<b>ROUND PUNCH</b>

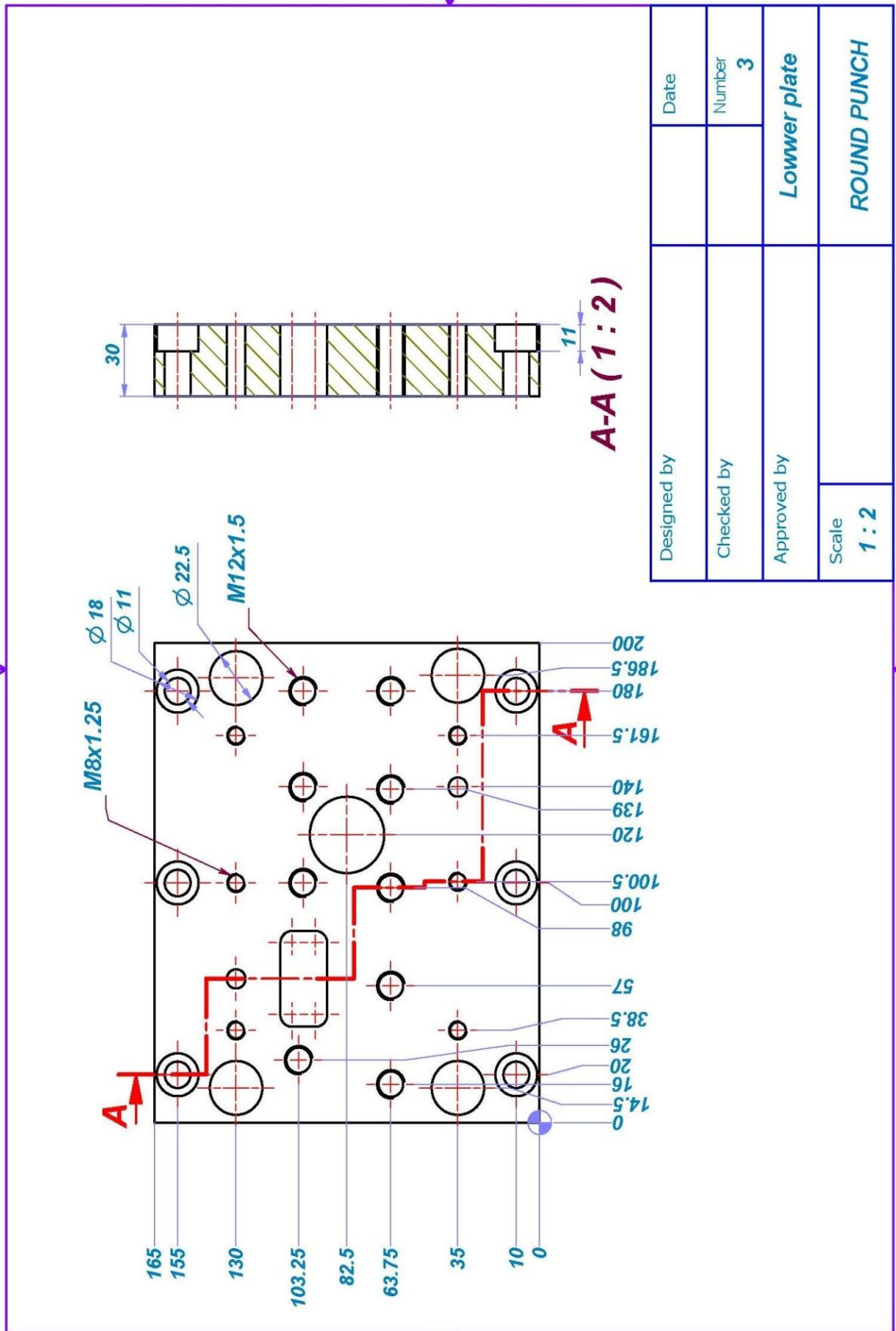


Designed by	Date
Checked by	Number <b>1</b>
Approved by	<b>Base</b>
Scale <b>1:2</b>	<b>ROUND PUNCH</b>



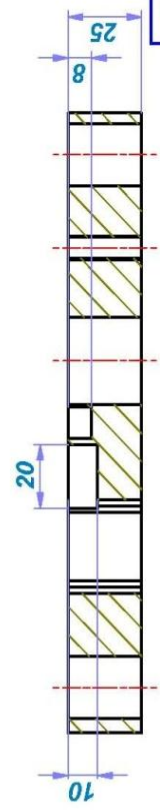
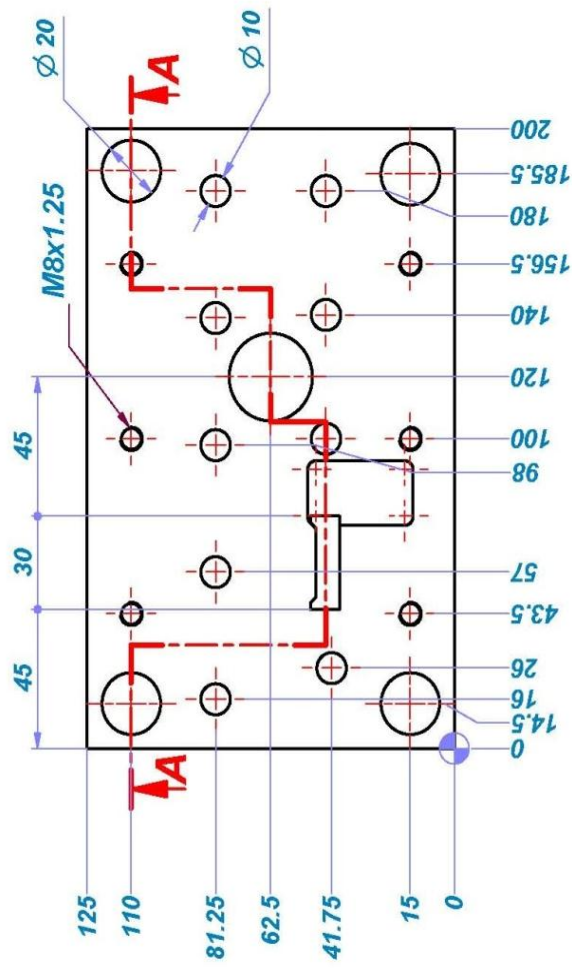
**A-A (1 : 1)**

Designed by		Date	
Checked by		Number	<b>2</b>
Approved by		<b>Base 2</b>	
Scale	<b>1 : 1</b>	<b>ROUND PUNCH</b>	



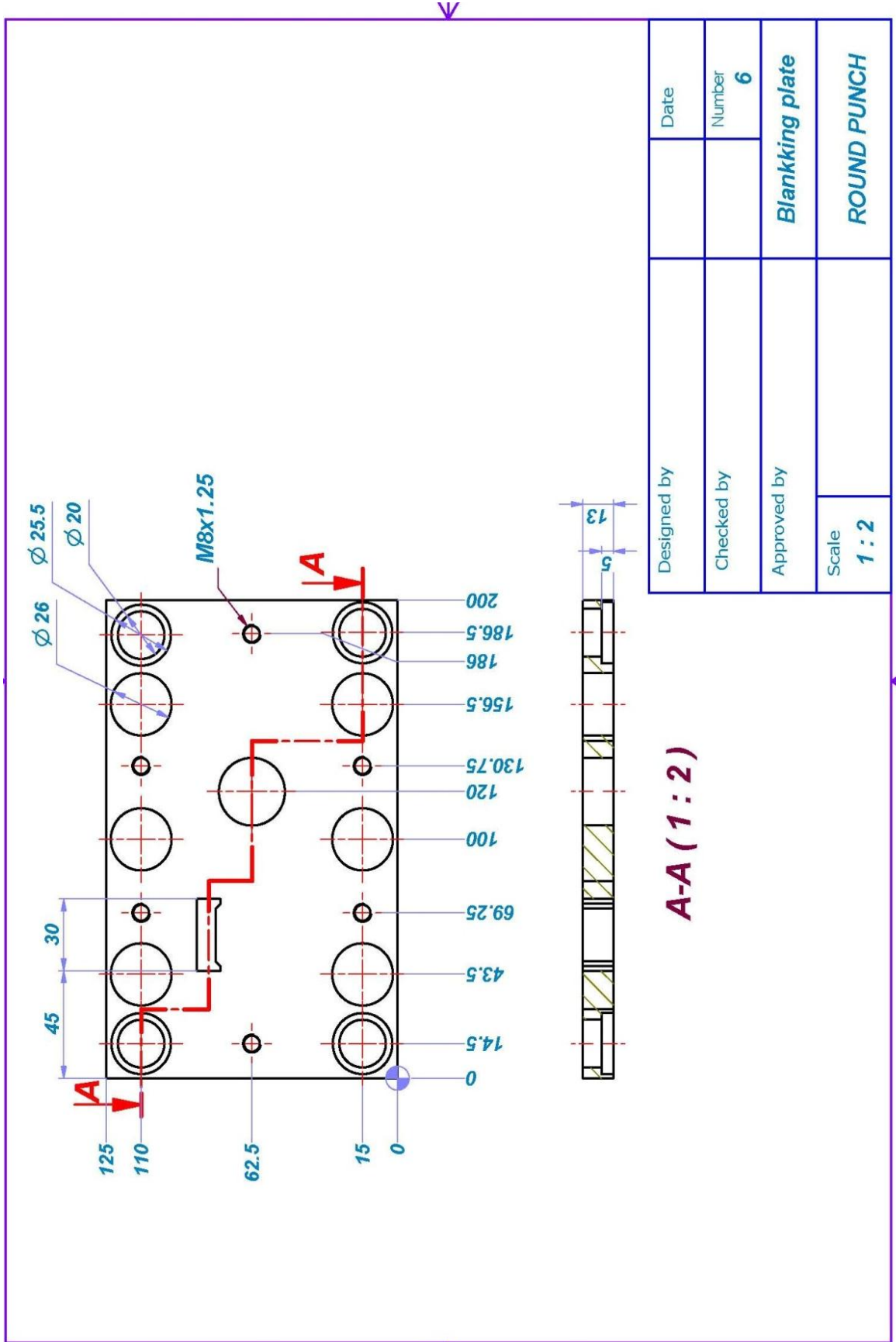
Designed by	Date
Checked by	Number <b>3</b>
Approved by	<b>Lower plate</b>
Scale <b>1:2</b>	<b>ROUND PUNCH</b>

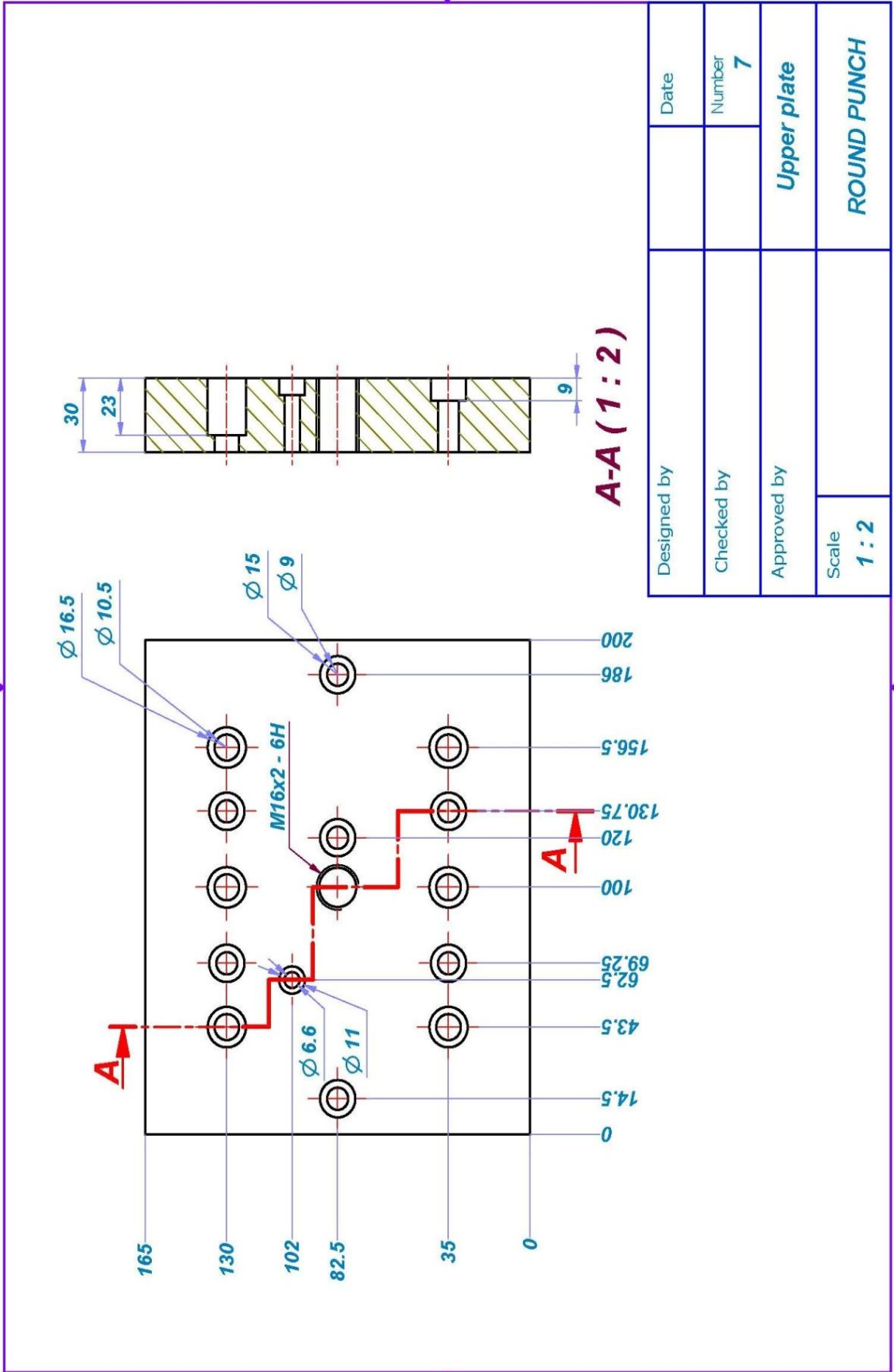


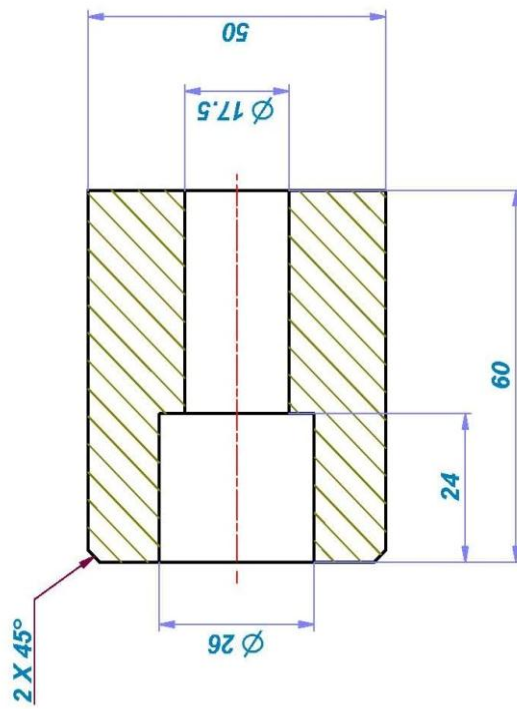
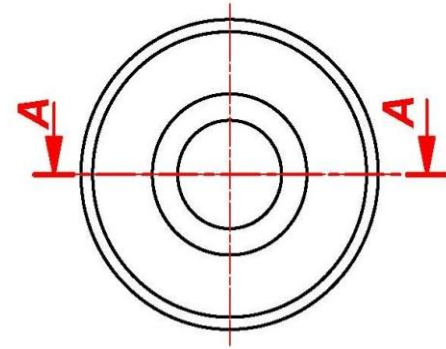


**A-A (1 : 2)**

Designed by	Date
Checked by	Number <b>5</b>
Approved by	<b>Stripper plate</b>
Scale <b>1 : 2</b>	<b>ROUND PUNCH</b>

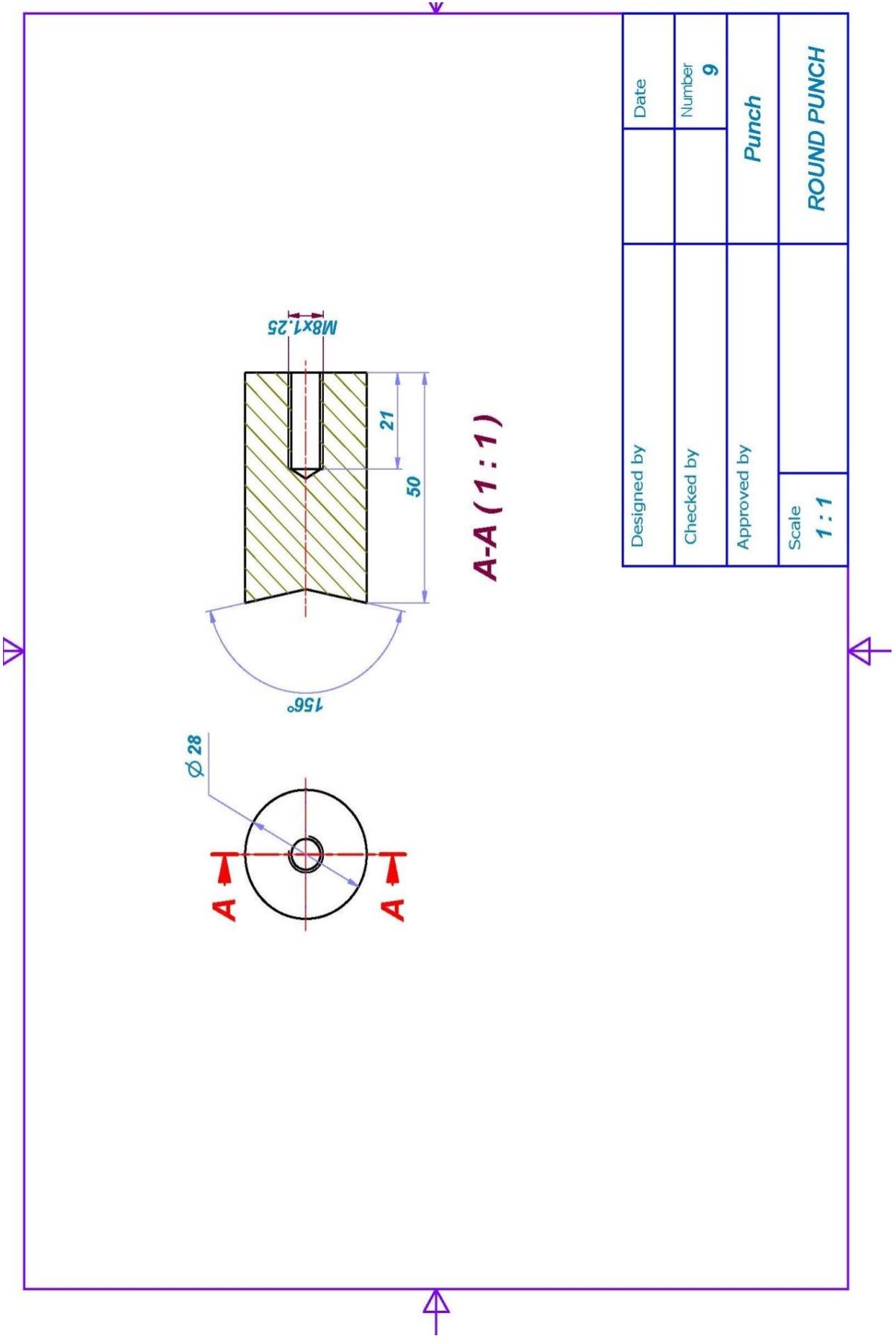




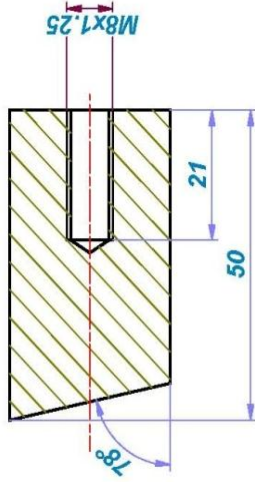
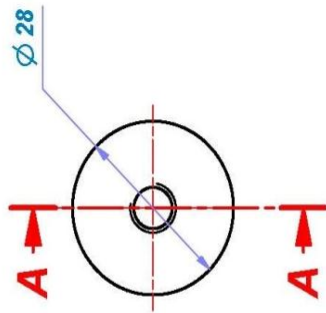


**A-A (1 : 1)**

Designed by	Date
Checked by	Number <b>8</b>
Approved by	<b>Shank</b>
Scale <b>1 : 1</b>	<b>ROUND PUNCH</b>



Designed by		Date	
Checked by		Number	9
Approved by		<b>Punch</b>	
Scale	<b>1:1</b>	<b>ROUND PUNCH</b>	

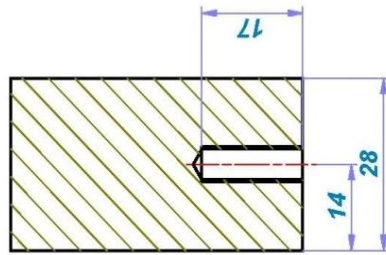
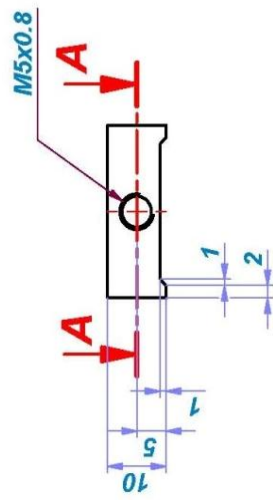


**A-A (1:1)**

Designed by	Date
Checked by	Number <b>9</b>
Approved by	<i>Punch</i>
Scale <b>1:1</b>	<b>ROUND PUNCH</b>

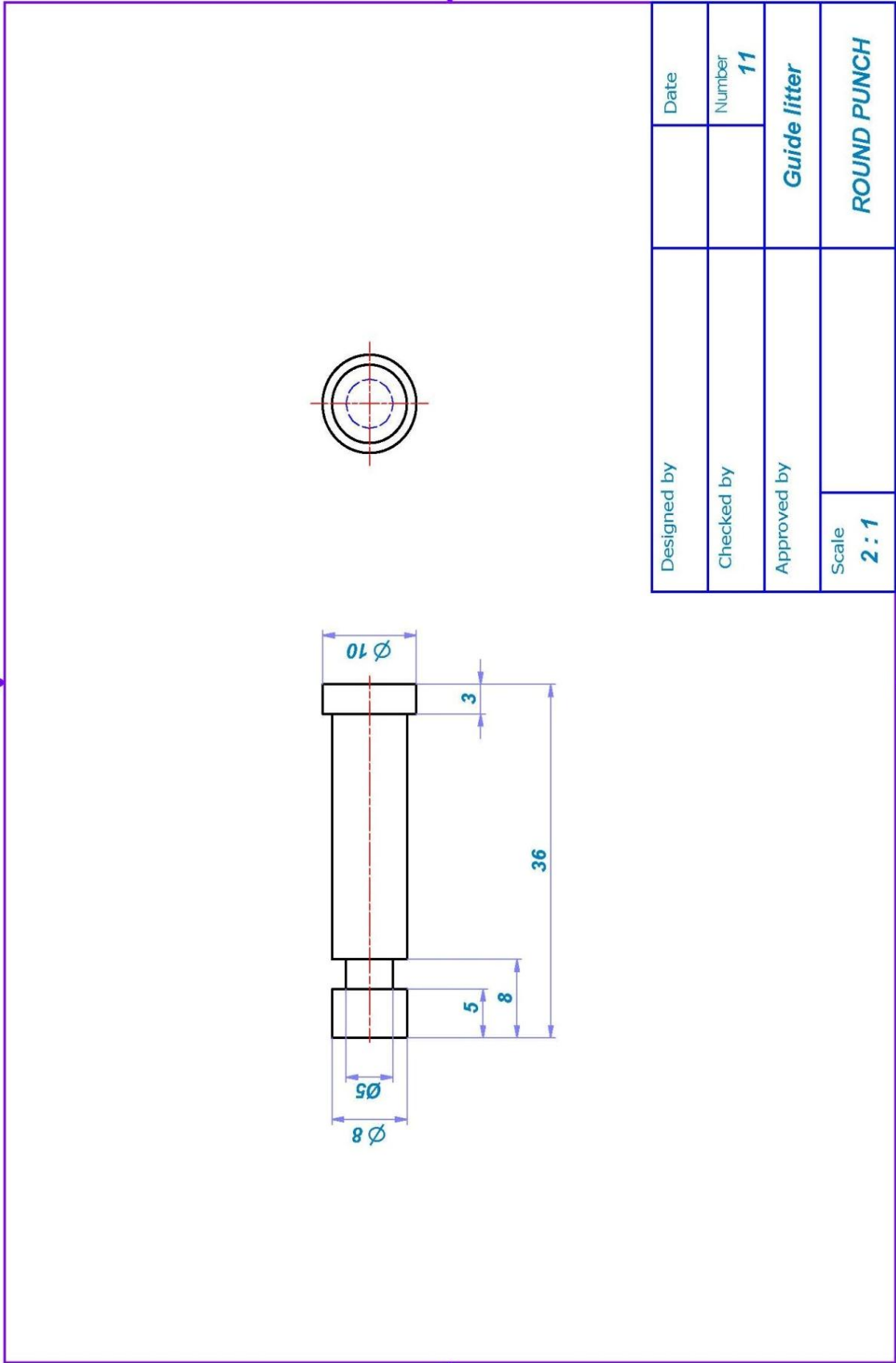
**A-A (1 : 1)**

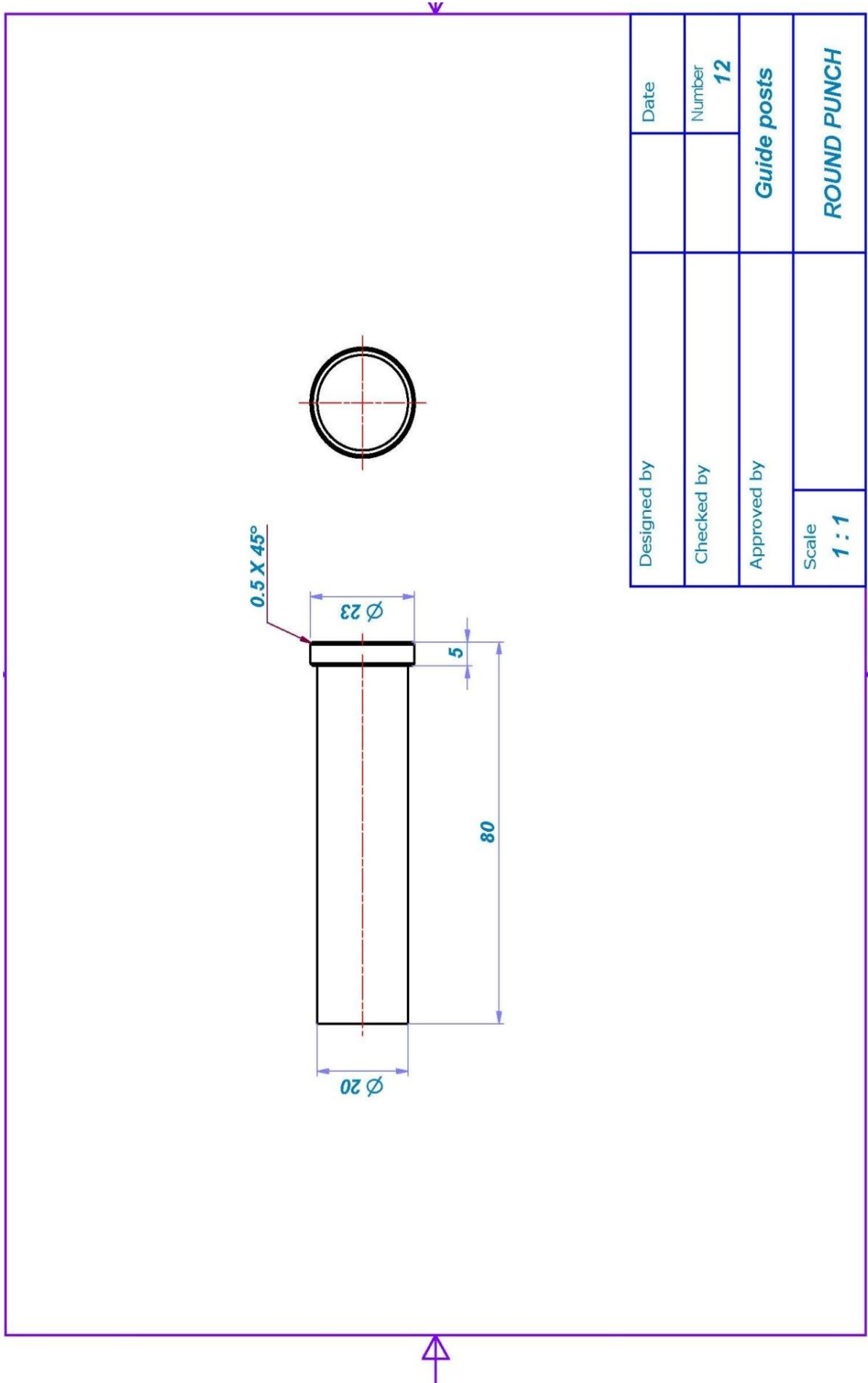
Designed by	Date
Checked by	Number <b>9</b>
Approved by	<b>Punch</b>
Scale <b>1 : 1</b>	<b>ROUND PUNCH</b>



**A-A (1:1)**

Designed by	Date
Checked by	Number <b>10</b>
Approved by	<b>Suide cutter</b>
Scale <b>1:1</b>	<b>ROUND PUNCH</b>



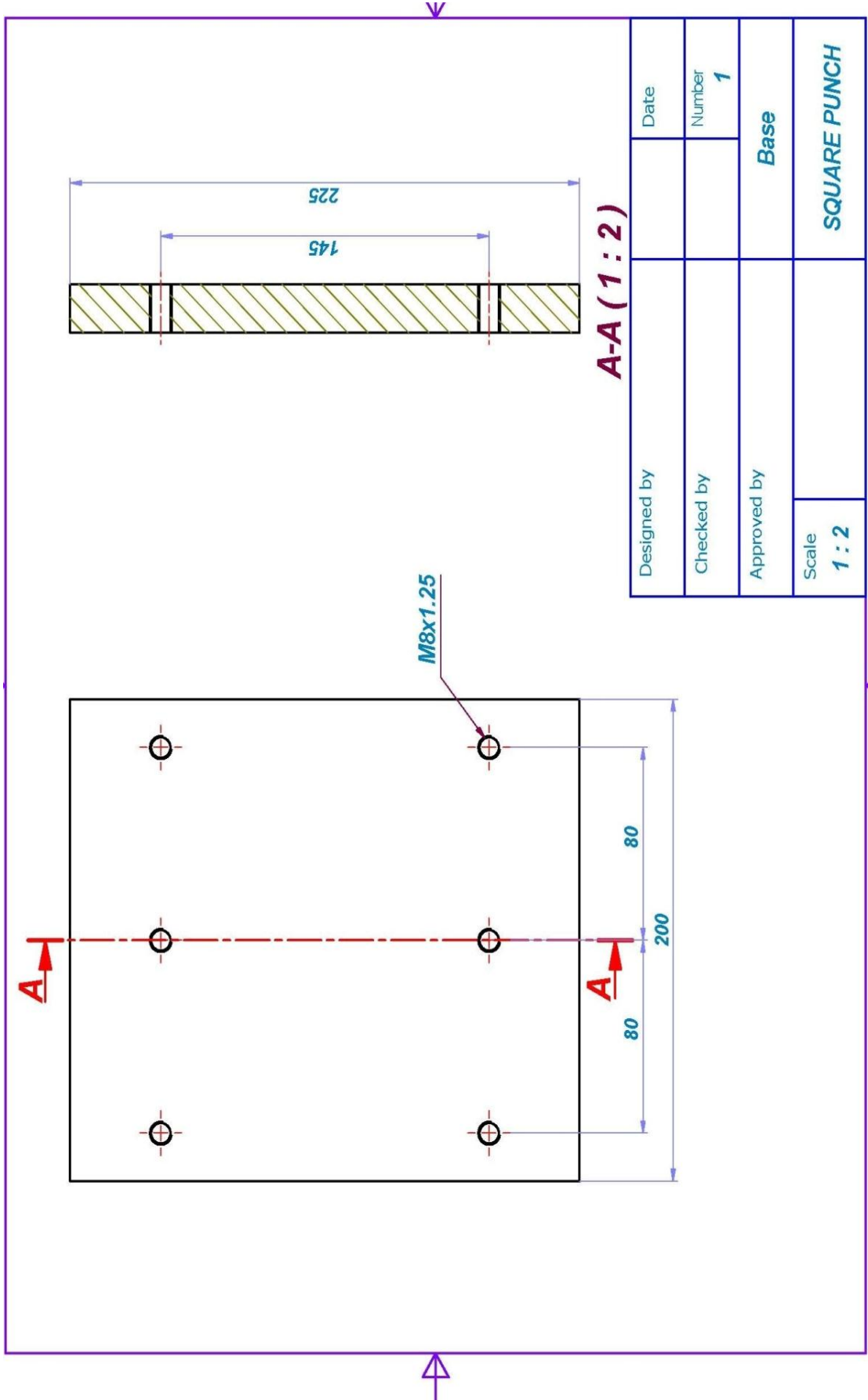


Designed by		Date	
Checked by		Number	12
Approved by		<b>Guide posts</b>	
Scale	<b>1 : 1</b>	<b>ROUND PUNCH</b>	

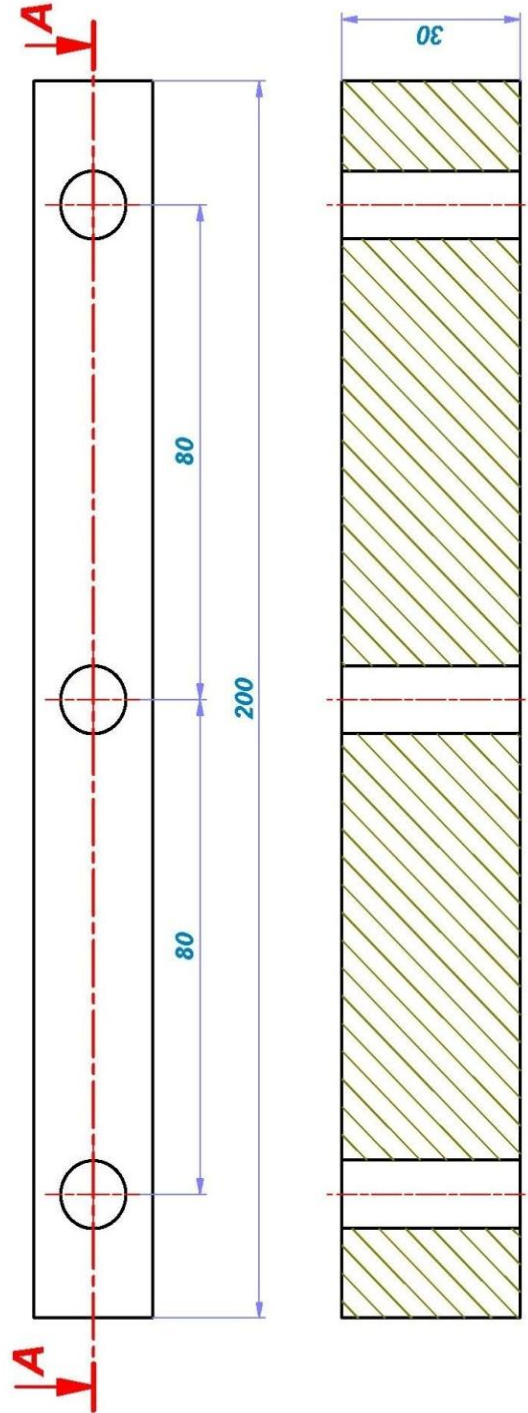
**SECTION A-A**

PART NUMBER	QTY	ITEM
16	9	Spring guide litter
15	6	Spring
14	12	Screw M6x1
13	12	Screw M8x1.25
12	4	Guide posts
11	9	Guide litter
10	1	Guide cutter
9	1	Punch
8	1	Shank
7	1	Upper plate
6	1	Blanking plate
5	1	Stripper plate
4	1	Die Plate
3	1	Lower plate
2	2	Base 2
1	1	Base

Part List	
Designed by	Date
Checked by	Number
Approved by	
Scale <b>1 : 4</b>	<b>SQUARE PUNCH</b>



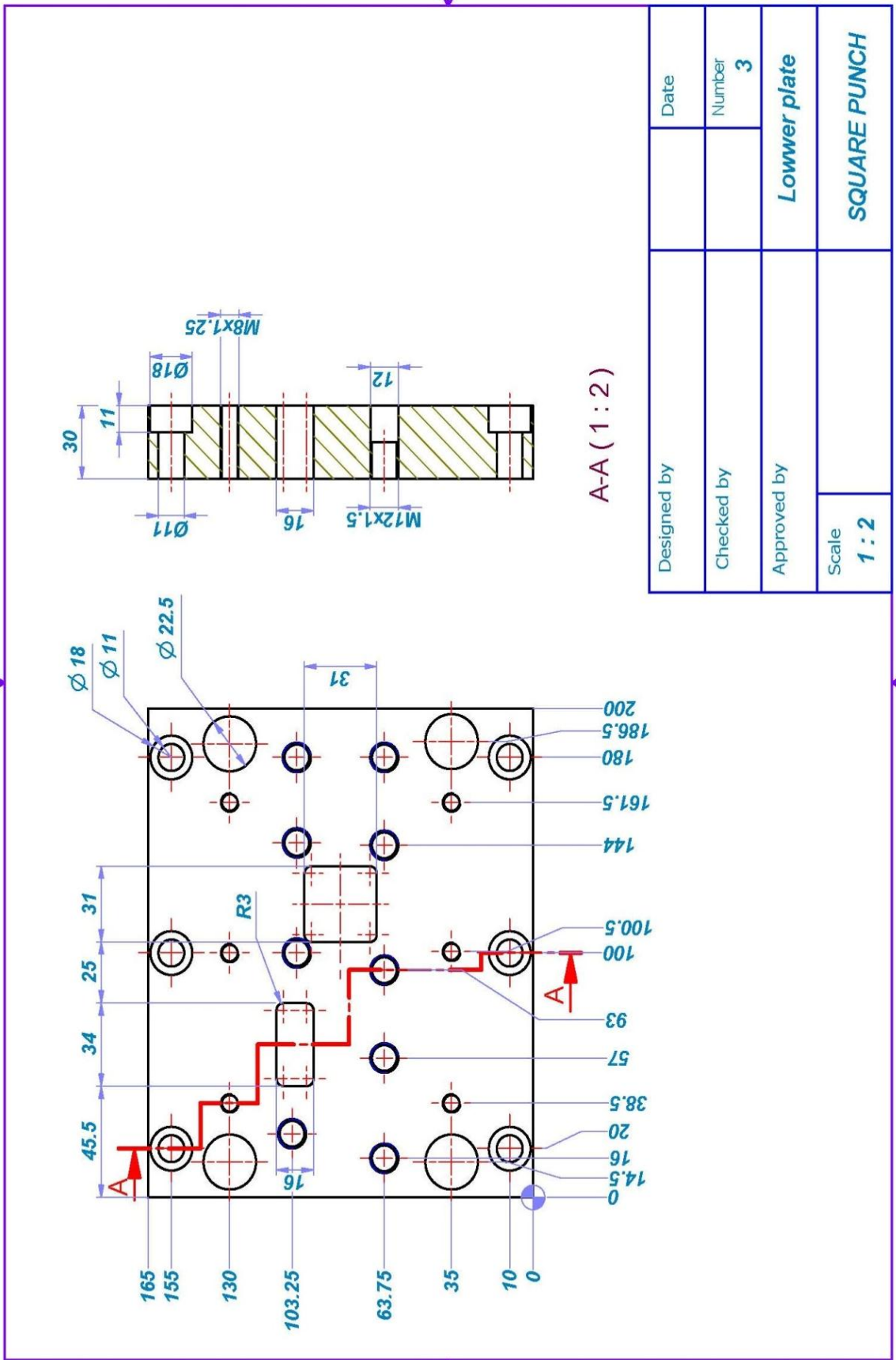
Designed by	Date
Checked by	Number <b>1</b>
Approved by	Base
Scale <b>1 : 2</b>	<b>SQUARE PUNCH</b>

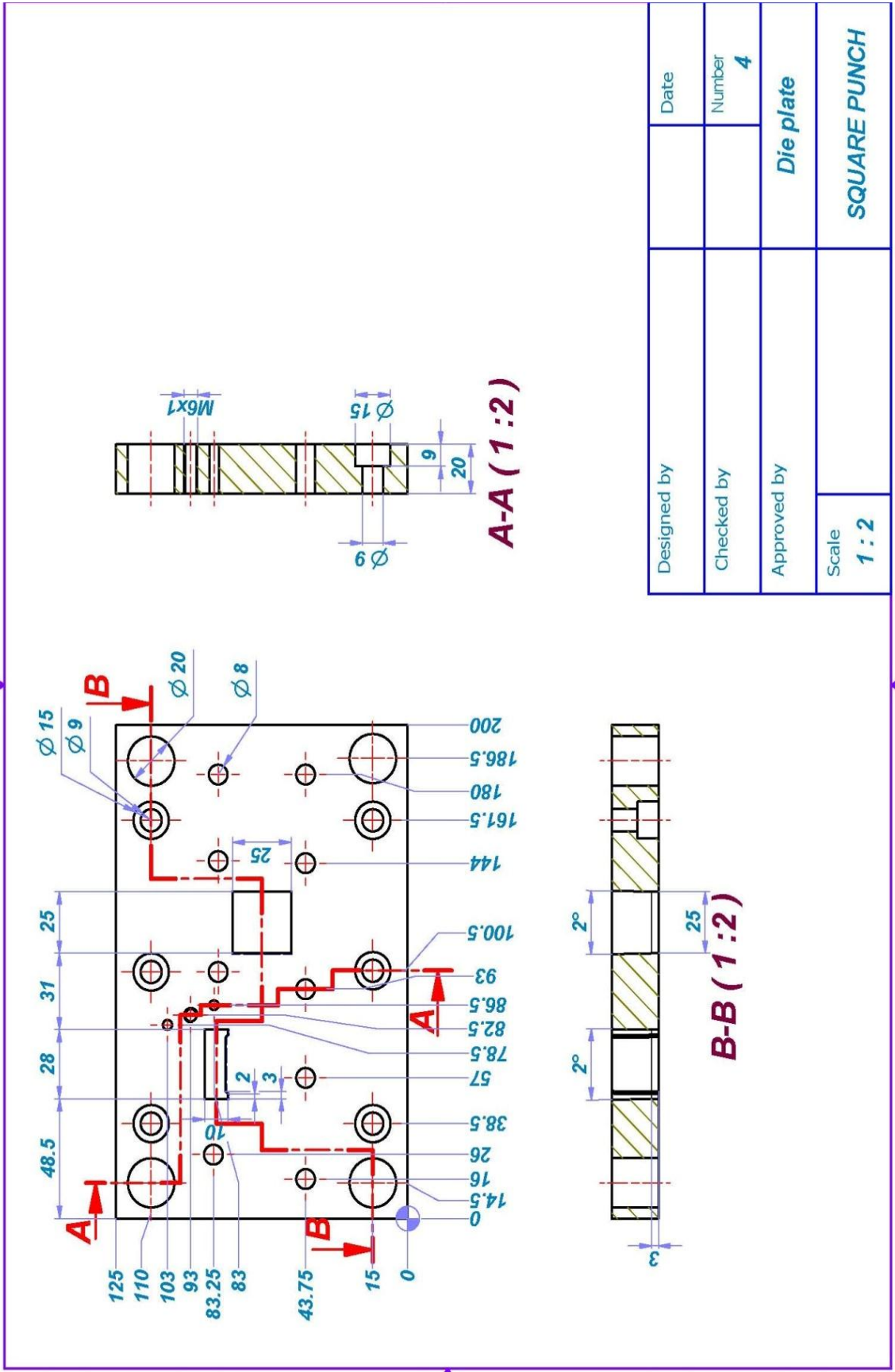


**A-A (1:1)**

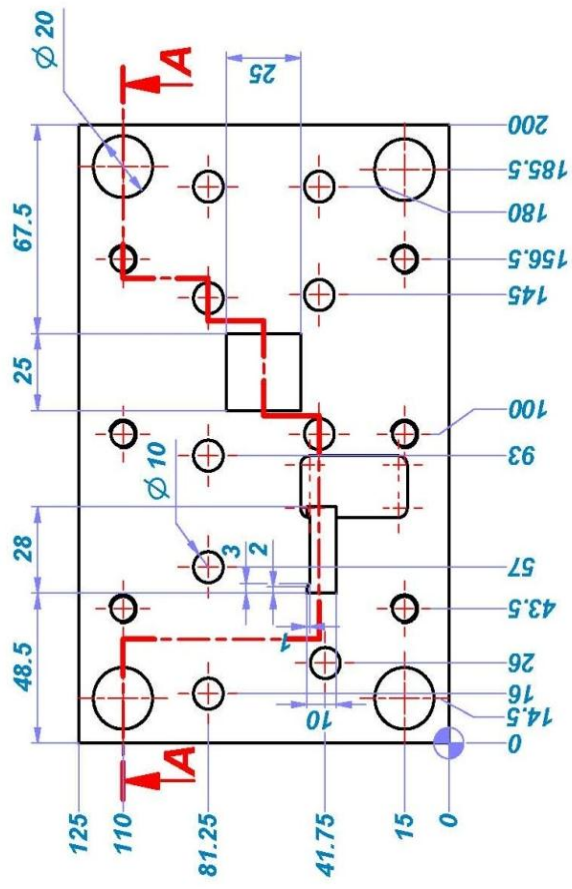
Designed by		Date	
Checked by		Number	<b>2</b>
Approved by		<b>Base 2</b>	
Scale	<b>1:1</b>	<b>SQUARE PUNCH</b>	





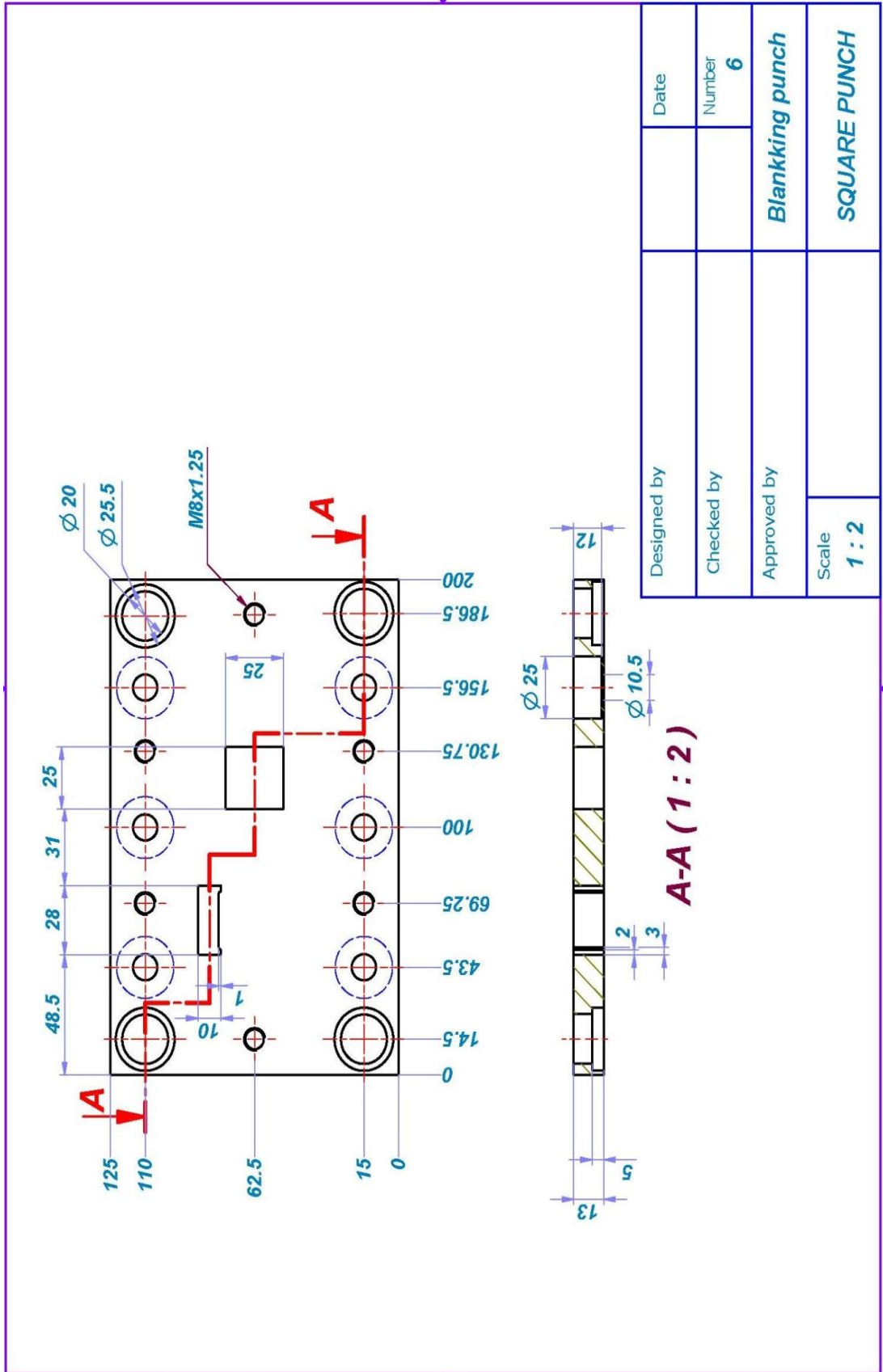


Designed by	Date
Checked by	Number <b>4</b>
Approved by	<b>Die plate</b>
Scale <b>1:2</b>	<b>SQUARE PUNCH</b>



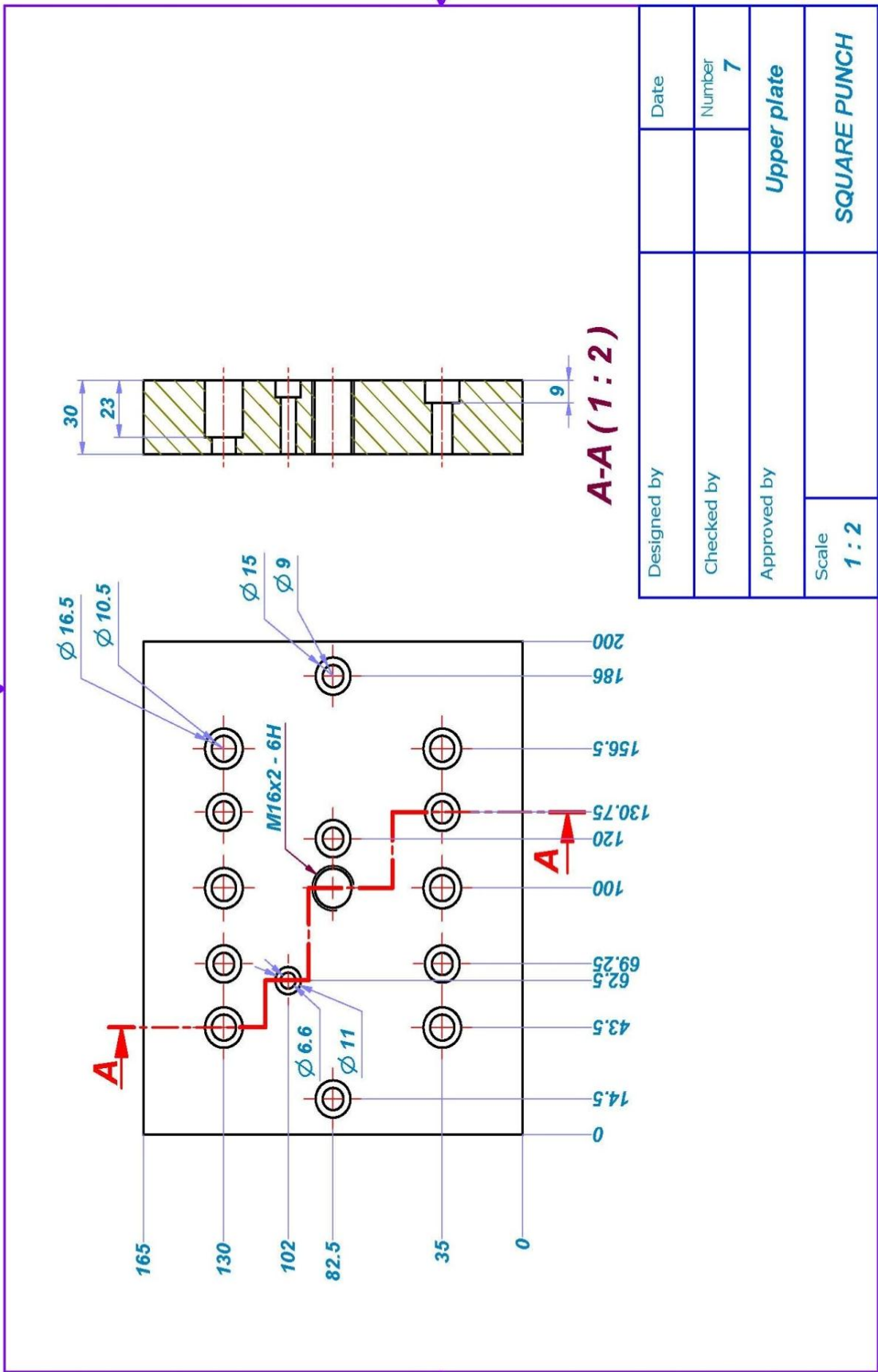
**A-A(1:2)**

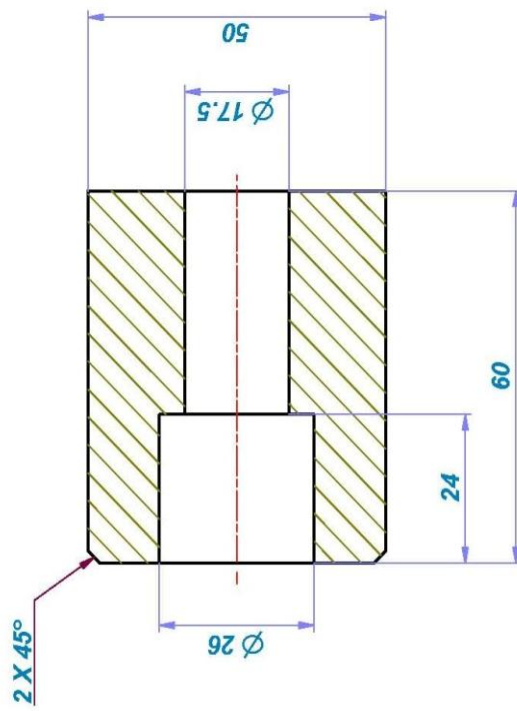
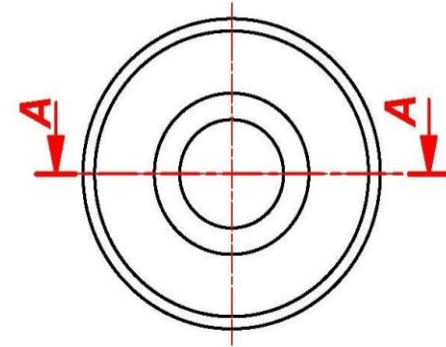
Designed by	Date
Checked by	Number <b>5</b>
Approved by	<b>Stripper plate</b>
Scale <b>1:2</b>	<b>SQUARE PUNCH</b>



Designed by		Date	
Checked by		Number	<b>6</b>
Approved by		<b>Blanking punch</b>	
Scale	<b>1:2</b>	<b>SQUARE PUNCH</b>	



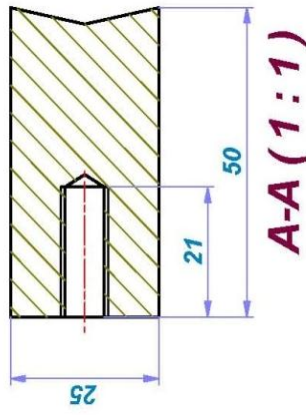
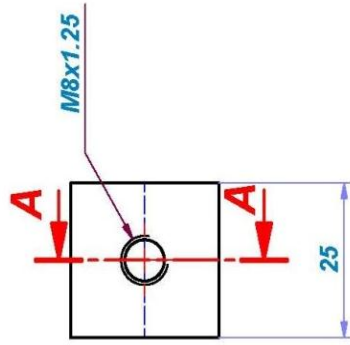




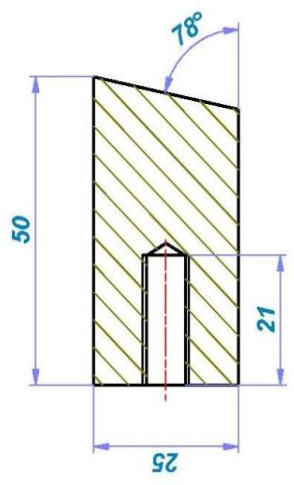
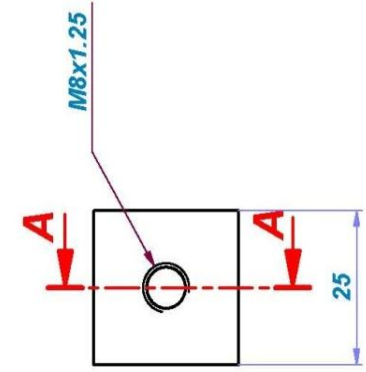
**A-A (1 : 1)**

Designed by	Date
Checked by	Number <b>8</b>
Approved by	<b>Shank</b>
Scale <b>1 : 1</b>	<b>SQUARE PUNCH</b>



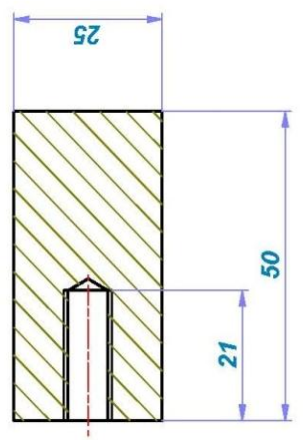
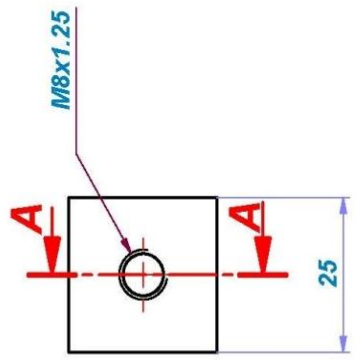


Designed by	Date
Checked by	Number <b>9</b>
Approved by	<i>Punch</i>
Scale <b>1:1</b>	<b>SQUARE PUNCH</b>



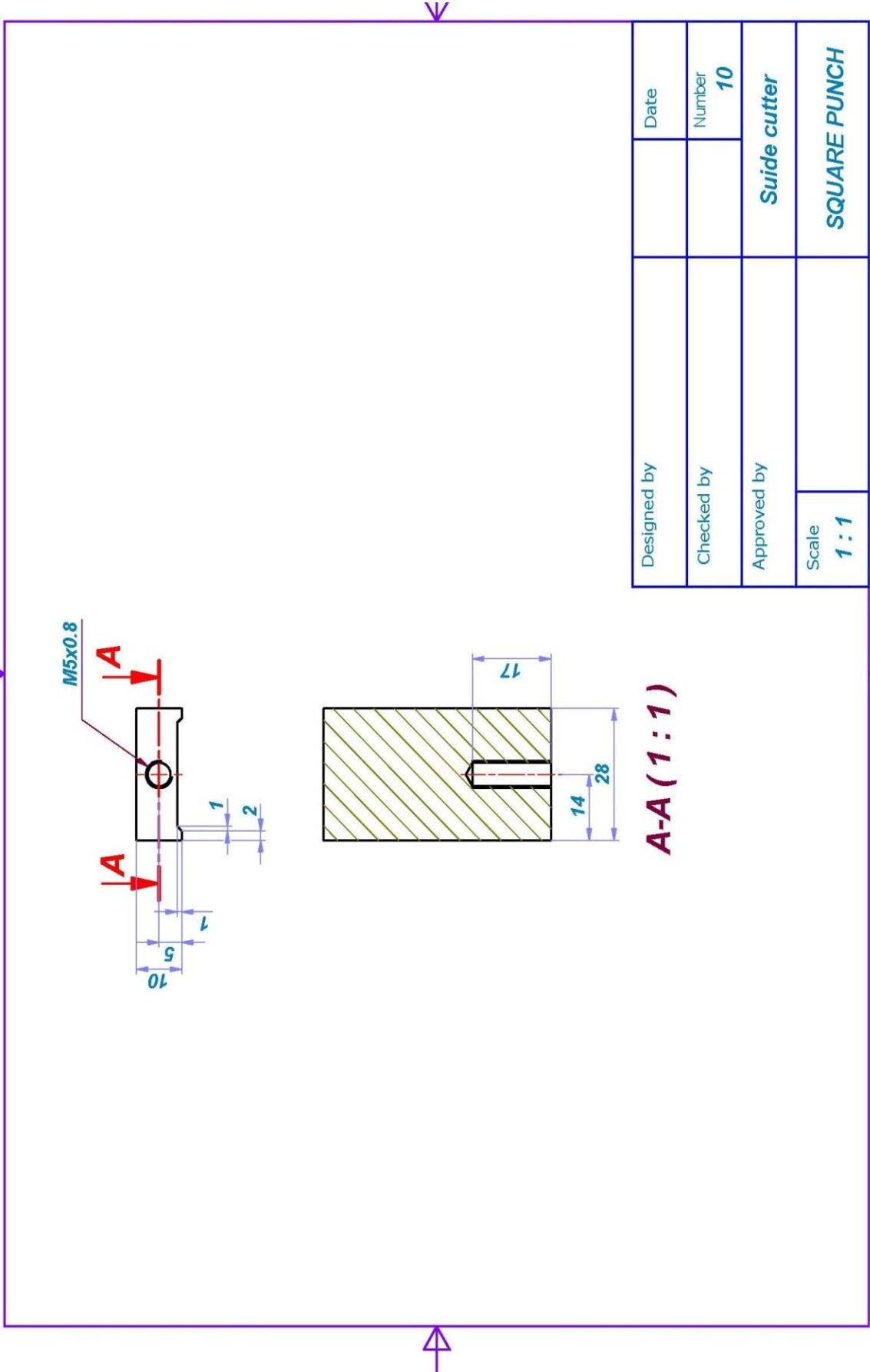
**A-A (1:1)**

Designed by	Date
Checked by	Number <b>9</b>
Approved by	<b>Punch</b>
Scale <b>1:1</b>	<b>SQUARE PUNCH</b>

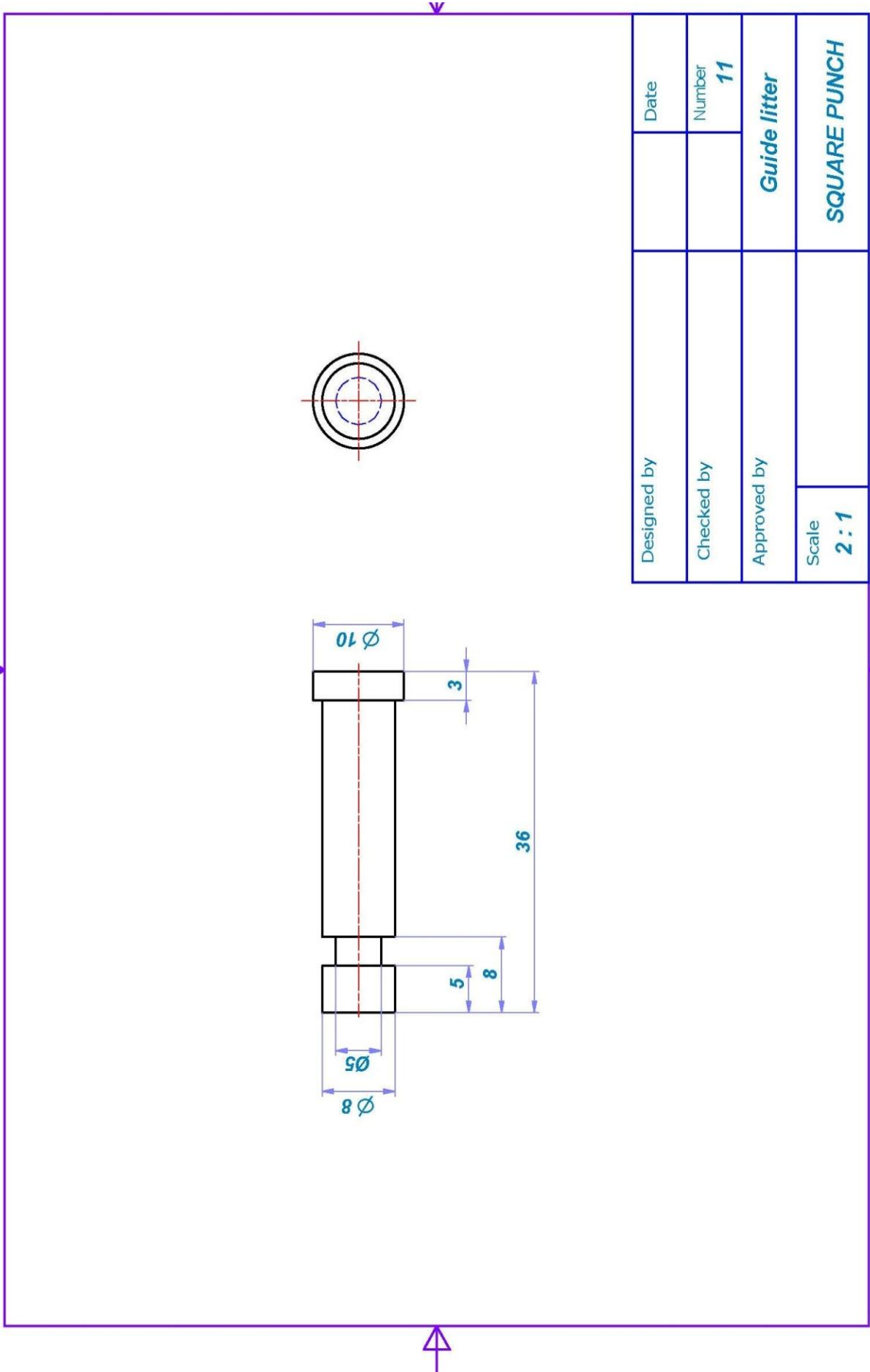


**A-A (1:1)**

Designed by	Date
Checked by	Number <b>9</b>
Approved by	<b>Punch</b>
Scale <b>1:1</b>	<b>SQUARE PUNCH</b>



Designed by	Date
Checked by	Number <b>10</b>
Approved by	<b>Suide cutter</b>
Scale <b>1:1</b>	<b>SQUARE PUNCH</b>



Designed by		Date	
Checked by		Number	11
Approved by		<b>Guide litter</b>	
Scale	<b>2 : 1</b>	<b>SQUARE PUNCH</b>	

